

## Series 1200A

### EXTREME CORROSION SERVICE VALVES

- Corrosion resistant construction
- High flow capacity
- Minimal leakage at 90% of setting
- Full lift design

### POLYMER PRESSURE/VACUUM RELIEF

Polymer valves operate in a similar fashion to their metal and fiberglass counterparts. These valves protect low-pressure atmospheric storage tanks from excessive pressure and/or vacuum. In addition to pressure and vacuum protection, these valves limit fugitive emissions by preventing constant tank “breathing” to atmosphere and are available in vent to atmosphere or pipe-away configurations.

### SPECIAL FEATURES • MATERIAL

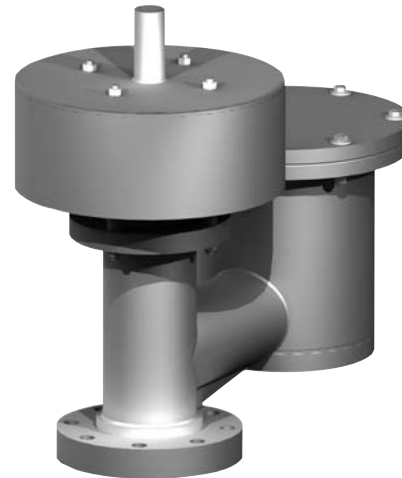
All polymer internal construction enables these valves to operate in the harshest chemical environments that would normally damage traditional metal valves and fiberglass valves.

- Valves available in PVDF (Polyvinylidene Fluoride, or Kynar®<sup>1</sup>), PP (Polypropylene), HDPE (High Density Polyethylene), and CPVC (Chlorinated Polyvinyl Chloride, or High Temperature PVC)
- Available polymers are highly resistant to chemical attack and are easier to maintain than metal and fiberglass valves in similar environments
- FRP (Fiberglass, Derakane or Furan) overlay materials are also available for UV protection and higher operating pressures by providing greater structural strength
- Fastener materials: Stainless Steel, Hastelloy-C

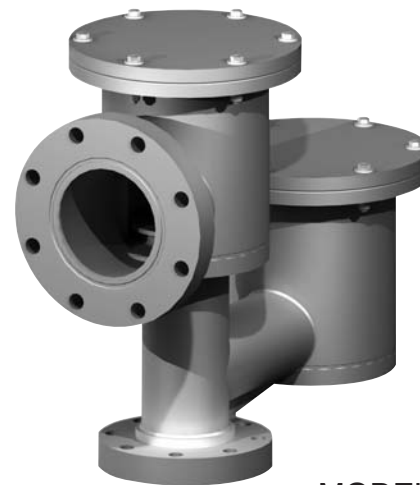
Unique cover design with radial seal o-ring eliminates the need for gaskets and high bolt torque, helping to eliminate stress cracking around bolt holes.

Available pressure ranges of: (1.1-27.7 inWC, 2.7-70 mbar). See compatibility chart for temperature ranges.

Features Groth’s special “cushioned air” pallets with standard Teflon®<sup>2</sup> diaphragms.



**MODEL 1200A**  
Vent to Atmosphere  
Pressure and Vacuum Relief Valve



**MODEL 1220A**  
Closed System  
Pressure and Vacuum Relief Valve

- Helps prevent valve sticking or binding due to exposure to resinous vapors and atmospheric moisture
- Additional diaphragm materials available on request (Viton®<sup>3</sup>, Buna, Kalrez®<sup>4</sup>, etc.)
- Self draining valve body protects seating surfaces from freezing condensate
- Central and peripheral stabilizers ensure that the valve opens to full lift and reseats properly

# NON-METALLIC PRESSURE/VACUUM RELIEF VALVES



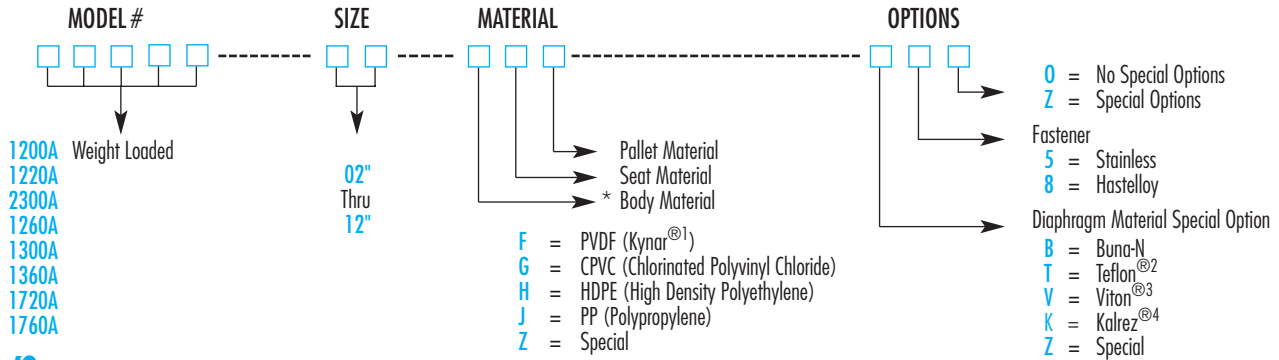
## CHEMICAL COMPATIBILITY\*

	316 Stainless Steel	Hastelloy-C	Chlorinated Polyvinyl Chloride (CPVC) (-40° F to +130° F)	Kynar®(PVDF) Polyvinylidene Fluoride (-80° F to +230° F)	High Density Polyethylene (HDPE) (-30° F to +130° F)	Polypropylene (PP) (-30° F to +120° F)
Aluminum Potassium Sulfate 10%	Excellent	Fair	Good	Good	Excellent	Excellent
Aluminum Potassium Sulfate 100%	Good	Fair	Good	N/A	Excellent	Excellent
Ammonium Chloride	Good	Poor	Excellent	Excellent	Excellent	Excellent
Aniline Hydrochloride	Poor	Poor	Poor	Excellent	Poor	Poor
Aqua Regia (80% HCl, 20% HNO3)	Poor	Fair	Fair	Excellent	Good	Good
Butadiene	Excellent	Fair	Excellent	Excellent	Poor	Fair
Chlorine, Anhydrous Liquid	Fair	Poor	Poor	Excellent	Poor	Poor
Chlorine, Dry	Good	Excellent	Poor	Excellent	Poor	Poor
Chromic Acid 5%	Excellent	Good	Excellent	Excellent	Poor	Poor
Chromic Acid 10%	Good	Excellent	Excellent	Excellent	Poor	Poor
Chromic Acid 30%	Good	Poor	Excellent	Excellent	Poor	Poor
Chromic Acid 50%	Good	Good	Poor	Excellent	Poor	Poor
Hydrobromic Acid 20%	Poor	Excellent	Excellent	Excellent	Good	Excellent
Hydrobromic Acid 100%	Poor	Fair	Excellent	Excellent	Good	Fair
Hydrochloric Acid 20%	Poor	Excellent	Excellent	Excellent	Excellent	Good
Hydrochloric Acid 37%	Poor	Good	Excellent	Excellent	Good	Fair
Hydrochloric Acid 100%	Poor	Excellent	Excellent	Excellent	N/A	Good
Hydrochloric Acid, Dry Gas	Poor	Excellent	Excellent	Excellent	Excellent	Good
Iodoform	Excellent	Poor	N/A	Fair	N/A	N/A
Lye: NaOH	Good	Fair	Excellent	Poor	Poor	Excellent
Lye: KOH	Excellent	Good	Excellent	Excellent	Excellent	Excellent
Lye: Ca(OH)2	Good	Excellent	Excellent	Excellent	Excellent	Excellent
Mercuric Chloride (dilute)	Poor	Fair	Excellent	Excellent	Excellent	Good
Nitrobenzene	Good	Poor	Poor	Excellent	Fair	Good
Nitrous Acid	Good	Poor	Excellent	Good	N/A	Excellent
Oleum 100%	Excellent	Poor	Poor	Poor	Poor	Poor
Sodium Hydroxide (50%)	Good	Fair	Excellent	Excellent	Poor	Excellent
Sulfur Dioxide	Excellent	Fair	Excellent	Excellent	Good	Excellent
Sulfuric Acid (cold concentrated)	Good	Excellent	Poor	Excellent	Fair	Excellent
Sulfuric Acid (hot concentrated)	Fair	Poor	Poor	Fair	Poor	Poor
Sulfuric Acid <10%	Good	Good	Excellent	Excellent	Excellent	Excellent
Sulfuric Acid 10-75%	Poor	Good	Excellent	Excellent	Excellent	Excellent
Sulfuric Acid 75-100%	Poor	Good	Fair	Excellent	Good	Fair
Tin Salts	Poor	Fair	N/A	Excellent	N/A	Excellent

\* For compatibilities of other chemicals, please contact your Groth representative.

## HOW TO ORDER

For easy ordering, select proper model numbers



**NOTES**

- Include model number and setting when ordering.
- For special options, consult factory.

### EXAMPLE

1 2 0 0 A — 0 2 — F F F — T 5 0

Indicates a 2" Model 1200A with PVDF (Kynar<sup>®</sup>) Body and Seat, PVDF (Kynar<sup>®</sup>) Pallet, Teflon<sup>®1</sup> Seat Diaphragm, SS Hardware, and no other options.

1. Kynar<sup>®</sup> is a registered trademark of Arkema.
2. Teflon<sup>®</sup> is a registered trademark of E. I. du Pont de Nemours and Company used under license.
3. Viton<sup>®</sup> is a registered trademark of DuPont Performance Elastomers.
4. Kalrez<sup>®</sup> is a registered trademark of E. I. du Pont de Nemours and Company used under license.

For Material Safety Data Sheets, please contact a Groth representative.



**GROTH CORPORATION**

13650 N. Promenade Blvd.  
Stafford, TX 77477 USA  
Phone: (281) 295-6800  
Toll Free: (800) 354-7684  
Fax: (281) 295-6999  
E-mail: sales@grothcorp.com

**CORPORATE HEADQUARTERS**

**Continental Disc Corporation**  
3160 W. Heartland Drive  
Liberty, MO 64068-3385 USA  
Phone: (816) 792-1500  
Fax: (816) 792-2277  
E-mail: pressure@contdisc.com

**CHINA**

Room 910, Tower B, COFCO Plaza,  
No.8 JianGuoMenNei Avenue,  
Beijing(100005),  
P.R.China  
Mobile: +(86) 137 0103 8871  
E-mail: cdcchina@contdisc.com

**DUBAI**

P.O. Box 2234  
Dubai, U.A.E  
Phone: +(971) 43214490  
FAX: +(971) 43438840  
Mobile: +(971) 508129525  
E-mail: cdcme@contdisc.com

**THE NETHERLANDS**

Energieweg 20  
2382 NJ Zoeterwoude-Rijndijk  
The Netherlands  
Phone: +(31) 71-5412221  
FAX: +(31) 71-5414361  
E-mail: cdcnl@contdisc.com

**UNITED KINGDOM**

Unit C, The Business Centre  
Faringdon Avenue, Harold Hill, Romford  
Essex RM3 8EN, United Kingdom  
Phone: +(44) 1708-386444  
FAX: +(44) 1708-386486  
E-mail: cduk@contdisc.com