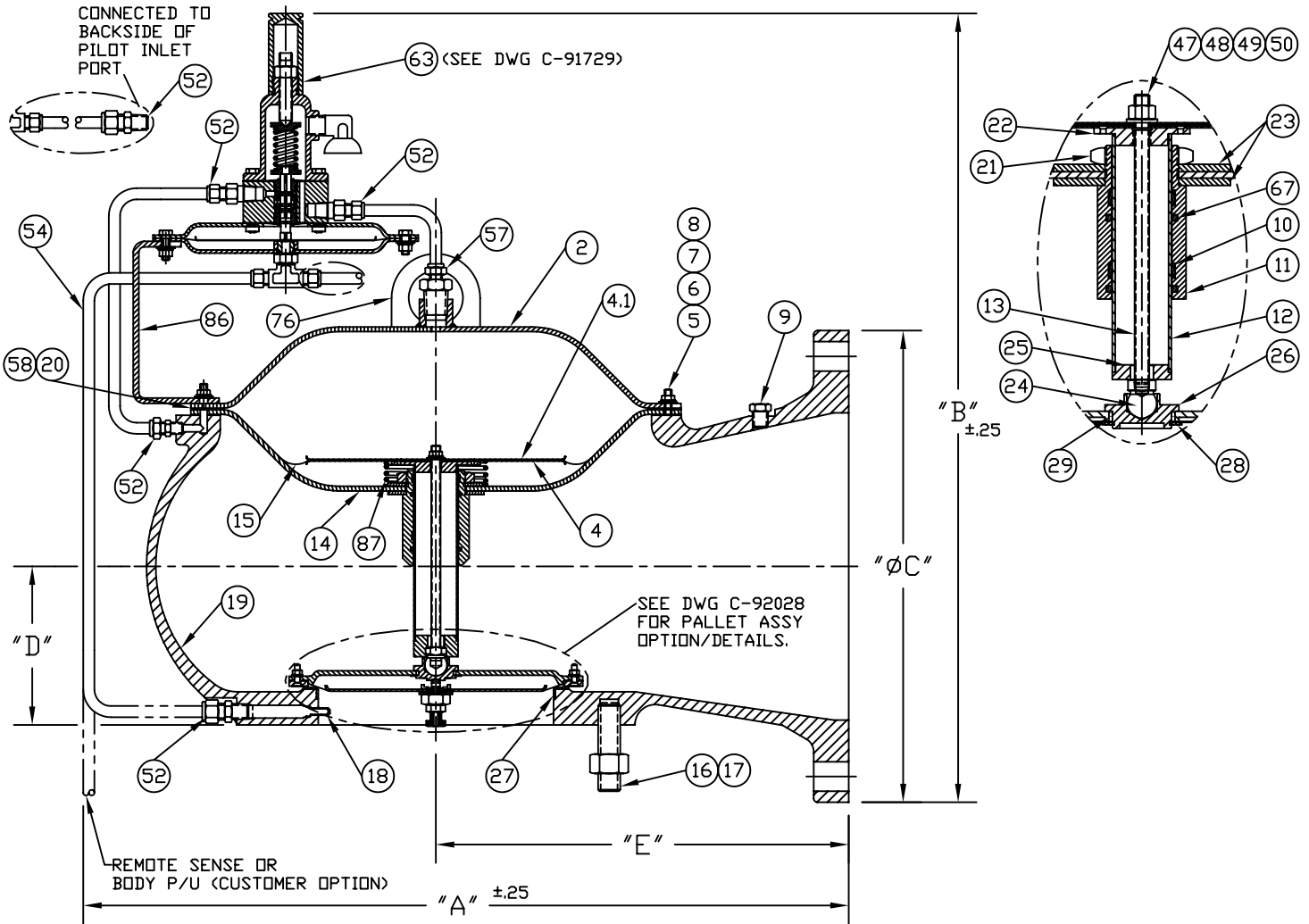


NOTES

1. INLET/OUTLET FLANGE FACES:  
ALUMINUM VALVES- FLAT FACE STD.  
STEEL VALVES- RAISED FACE STD.
2. ITEM (#23) IS USED ON SIZES 6"-12"
3. VACUUM OPERATION @ APPROX. 1 OSI SETTING.

DESCRIPTION

MODEL 1660A  
P.O.V. PRESSURE RELIEF VENT  
w/1402 PILOT- (LOW PRESSURE SET)



SIZE	FLANGE DRILLING	A		B		C		D		E	
		in	mm	in	mm	in	mm	in	mm	in	mm
2" x 3"	150# ANSI										
3" x 4"	150# ANSI										
4" x 6"	150# ANSI										
6" x 8"	150# ANSI										
8" x 10	150# ANSI	26.62	676	26.75	680	16.00	406	5.31	135	14.00	356
10" x 12"	150# ANSI										
12" x 16"	150# ANSI										

TAGS AND SPECIFICATIONS

THIS DRAWING EMBODIES A CONFIDENTIAL PROPRIETARY DESIGN ORIGINATED BY GROTH CORPORATION, AND ALL DESIGN, MANUFACTURING, REPRODUCTION, USE AND SALE RIGHTS, REGARDING THE SAME ARE EXPRESSLY RESERVED. IT IS SUBMITTED UNDER A CONFIDENTIAL RELATIONSHIP FOR A SPECIFIED PURPOSE, AND THE RECIPIENT AGREES BY ACCEPTING THIS DRAWING NOT TO SUPPLY OR DISCLOSE ANY INFORMATION REGARDING IT TO ANY UNAUTHORIZED PERSONS OR TO INCORPORATE IN OTHER PROJECTS ANY SPECIAL FEATURES PECULIAR TO THIS DESIGN. ALL PATENTS RIGHTS HERETO ARE EXPRESSLY RESERVED BY GROTH CORPORATION, 1202 HAHLD, HOUSTON, TEXAS 77020

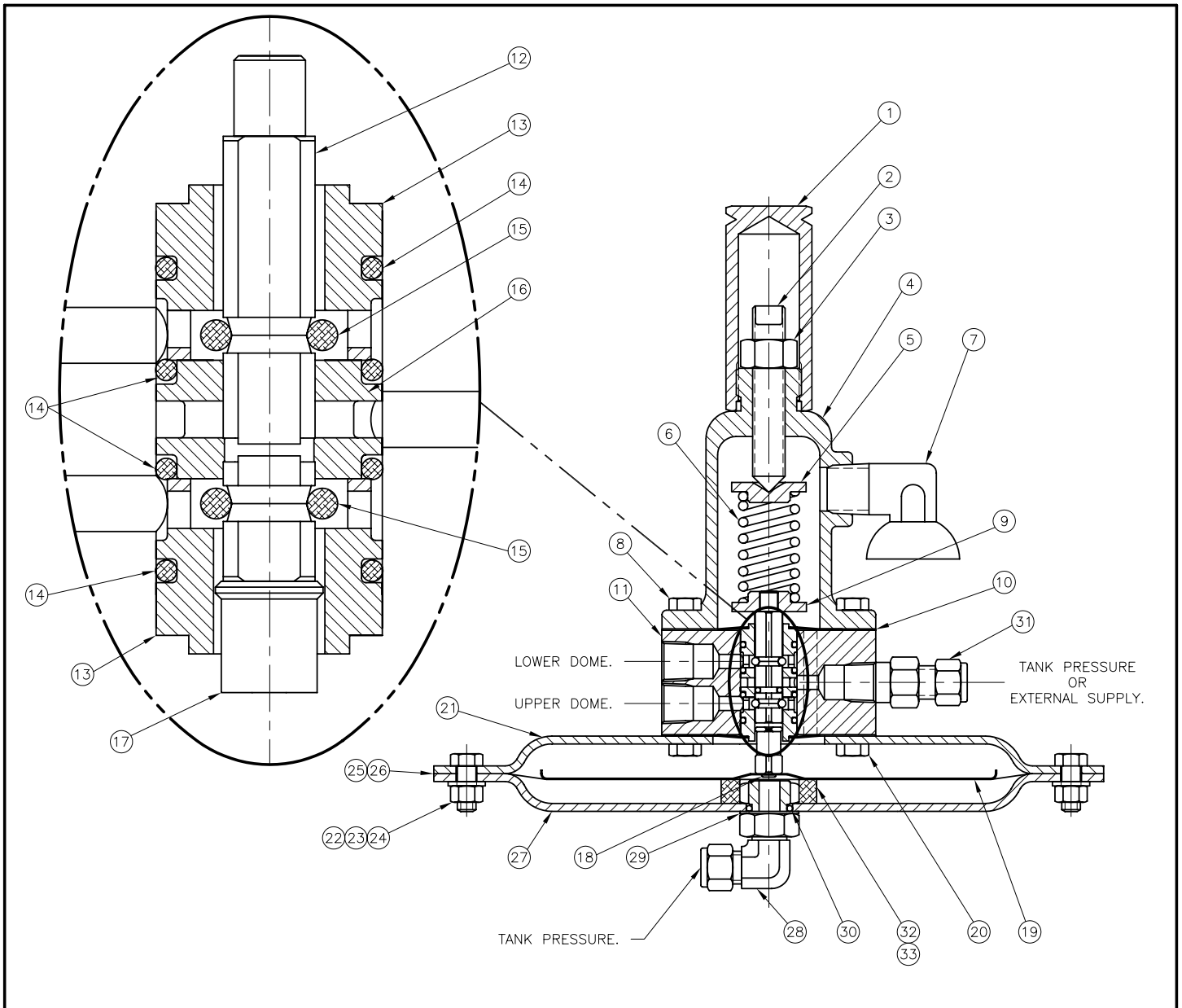


GROTH CORPORATION  
HOUSTON, TEXAS

REV.	DATE	BY	DESCRIPTION
A	01/25/00	JEL	10007

CERTIFIED:  
DATE:

DWG. NO.: C-92273  
DWN BY: J.E. LUJAN



TAGS AND SPECIFICATIONS

THIS DRAWING EMBODIES A CONFIDENTIAL PROPRIETARY DESIGN ORIGINATED BY GROTH CORPORATION, AND ALL DESIGN, MANUFACTURING, REPRODUCTION, USE AND SALE RIGHTS, REGARDING THE SAME ARE EXPRESSLY RESERVED. IT IS SUBMITTED UNDER A CONFIDENTIAL RELATIONSHIP FOR A SPECIFIC PURPOSE, AND THE RECIPIENT AGREES BY ACCEPTING THIS DRAWING NOT TO SUPPLY OR DISCLOSE ANY INFORMATION REGARDING IT TO ANY UNAUTHORIZED PERSONS OR TO INCORPORATE IN OTHER PROJECTS, ANY SPECIAL FEATURES PECULIAR TO THIS DESIGN. ALL PATENTS RIGHTS HERETO ARE EXPRESSLY RESERVED BY GROTH CORPORATION, 13650 N. PROMENADE, STAFFORD, TX. 77477

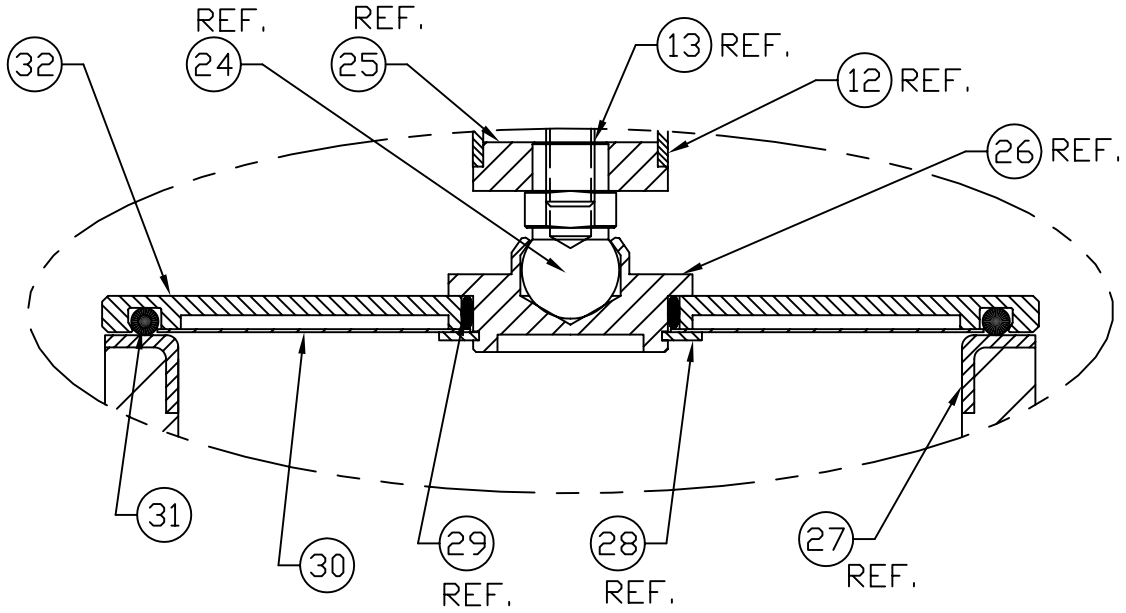
B	10851	GS	08/25/05
A	10833	CFS	05/13/05
REV.	ECN#	APPR.	DATE

  
**GROTH CORPORATION**  
 a Continental Disc Company  
 13650 N. Promenade Blvd.  
 Stafford, Texas  
 77477

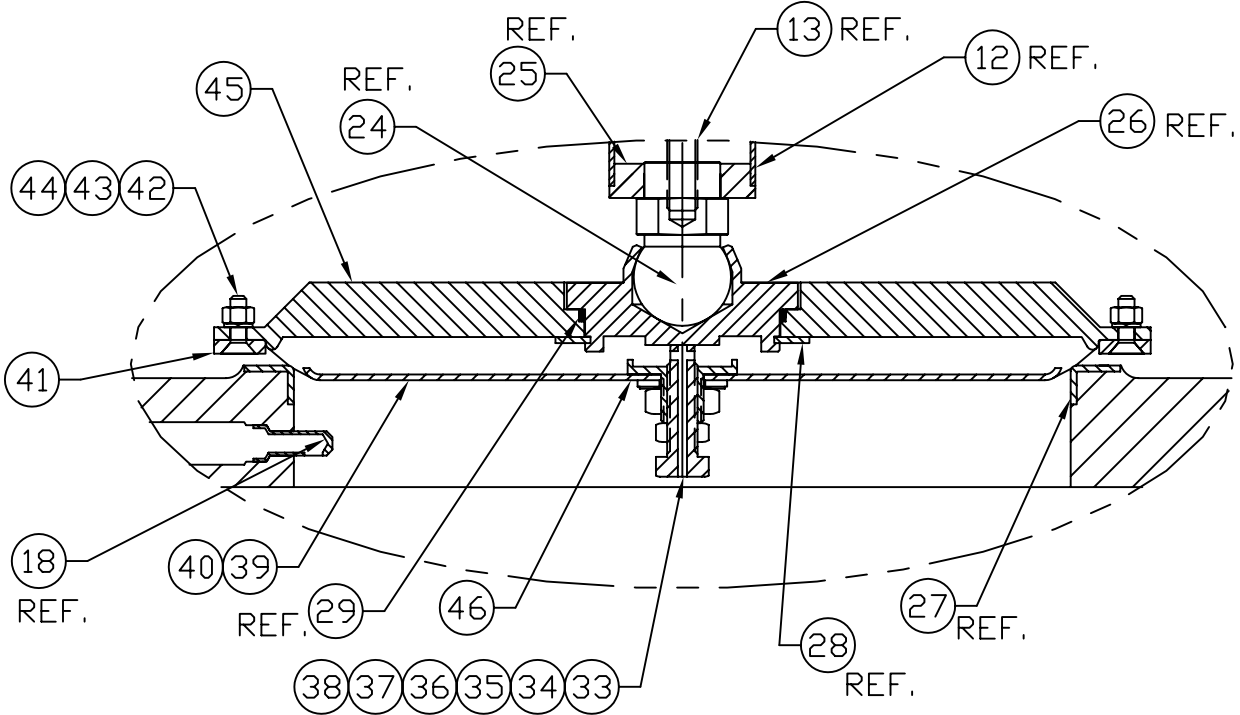
TITLE  
MODEL 1402 PILOT VALVE.

C	DRAWING NO.	SCALE	SHEET	D A T E
	91729	NTS	1 OF 1	
	PREPARED BY	JASON LUJAN	11/11/99	
	CHECKED BY	CHUCK SPRAGUE	11/11/99	
APPROVED BY	-	-		

O-RING PALLET  
 ASSEMBLY



FILM SEAT PALLET  
 ASSEMBLY



TAGS AND SPECIFICATIONS

THIS DRAWING EMBODIES A CONFIDENTIAL PROPRIETARY DESIGN ORIGINATED BY GROTH CORPORATION, AND ALL DESIGN, MANUFACTURING, REPRODUCTION, USE AND SALE RIGHTS, REGARDING THE SAME ARE EXPRESSLY RESERVED. IT IS SUBMITTED UNDER A CONFIDENTIAL RELATIONSHIP FOR A SPECIFIED PURPOSE, AND THE RECIPIENT AGREES BY ACCEPTING THIS DRAWING NOT TO SUPPLY OR DISCLOSE ANY INFORMATION REGARDING IT TO ANY UNAUTHORIZED PERSONS OR TO INCORPORATE IN OTHER PROJECTS ANY SPECIAL FEATURES PECULIAR TO THIS DESIGN. ALL PATENTS RIGHTS HERETO ARE EXPRESSLY RESERVED BY GROTH CORPORATION, 1202 HAHLO, HOUSTON, TEXAS 77020

REV.	DATE	BY	ECN NO.
A	06-04-99	JEL	99018
B	08-22-01	MP	10276



GROTH CORPORATION  
 a Continental Disc Company

APPROVED BY:  
 DATE:

CHECKED BY:  
 DATE:

DWG. NO. : C-92028  
 DWN BY: J.E. LUJAN

ITEM	DESCRIPTION	STANDARD MATERIALS OF CONSTRUCTION (1)			OPTIONAL FEATURES (2)
		ALUMINUM <input type="checkbox"/>	CARBON STL <input type="checkbox"/>	316 SS <input type="checkbox"/>	
1	NIPPLE, PIPE	N/A	N/A	N/A	
2	HOUSING, UPPER ACTUATOR	ALUM	CS	316 SS	
4	PLATE, SUPPORT	ALUM	316 SS	316 SS	
4.1	PLATE, VACUUM	ALUM	316 SS	316 SS	
5	STUD	316 SS	316 SS	316 SS	
6	NUT, HEX	316 SS	316 SS	316 SS	
7	WASHER, FLAT	316 SS	316 SS	316 SS	
8	WASHER, LOCK	316 SS	316 SS	316 SS	
9	PLUG, PIPE	316 SS	316 SS	316 SS	
10	* BEARING, SPINDLE	TEFLON	TEFLON	TEFLON	
11	GUIDE, SPINDLE	316 SS	316 SS	316 SS	
12	SPINDLE	ALUM	316 SS	316 SS	
13	ROD, SPINDLE	316 SS	316 SS	316 SS	
14	HOUSING, LOWER ACTUATOR	ALUM	CS	316 SS	
15	* DIAPHRAGM, ACTUATOR	TEFLON	TEFLON	TEFLON	
16	STUD	SS	SS	SS	
17	NUT, HEX	SS	SS	SS	
18	FITTING, PICK-UP	316 SS	316 SS	316 SS	
19	BODY	ALUM	CS	316 SS	
20	* GASKET, ACTUATOR	TEFLON	TEFLON	TEFLON	
21	NUT, HEX JAM	316 SS	316 SS	316 SS	
22	WASHER, SPINDLE	ALUM	316 SS	316 SS	
23	WASHER, BEARING	316 SS	316 SS	316 SS	
24	BALL, STEM SWIVEL	316 SS	316 SS	316 SS	
25	CAP, STEM	ALUM	316 SS	316 SS	
26	SOCKET, STEM SWIVEL	316 SS	316 SS	316 SS	
27	RING, SEAT	316 SS	316 SS	316 SS	
28	RING, SNAP	SS	SS	SS	
29	* O-RING, SOCKET	(NOTE 3)	(NOTE 3)	(NOTE 3)	
<b>O-RING SEAT ASSEMBLY (OPTIONAL) (REF DWG C-92028)</b>					
30	RETAINER, O-RING	ALUM	316 SS	316 SS	
31	* O-RING	(NOTE 3)	(NOTE 3)	(NOTE 3)	
32	PALLET	ALUM	316 SS	316 SS	
<b>FILM SEAT ASSEMBLY (OPTIONAL) (REF DWG C-92028)</b>					
33	JACK SCREW	316 SS	316 SS	316 SS	
34	NUT, HEX JAM	316 SS	316 SS	316 SS	
35	BUSHING, JACK SCREW	ALUM	316 SS	316 SS	
36	NUT, HEX JAM	316 SS	316 SS	316 SS	
37	WASHER, BELLEVILLE	SS	SS	SS	
38	WASHER, FLAT	316 SS	316 SS	316 SS	
39	RETAINER, FILM SEAT	ALUM	316 SS	316 SS	
40	* SEAT, FILM	FEP	FEP	FEP	
41	RING, FILM SEAT	ALUM	316 SS	316 SS	
42	SCREW-FHCH HEX SOCKET	SS	SS	SS	
43	NUT, HEX	SS	SS	SS	
44	WASHER, LOCK	SS	SS	SS	
45	PALLET	ALUM	316 SS	316 SS	
46	* WASHER	FEP	FEP	FEP	

**MODEL 1660A**

**GROTH CORPORATION  
HOUSTON TX, USA  
BILL OF MATERIAL**

		ALUMINUM <input type="checkbox"/>	CARBON STL <input type="checkbox"/>	316 SS <input type="checkbox"/>	<input type="checkbox"/>
47	NUT, HEX JAM	316 SS	316 SS	316 SS	
48	* O-RING, WASHER SPINDLE	TEFLON	TEFLON	TEFLON	
49	WASHER, FLAT	316 SS	316 SS	316 SS	
50	* WASHER	FEP	FEP	FEP	
52	FITTING, MALE CONNECTOR	316 SS	316 SS	316 SS	
53	FITTING, MALE CONNECTOR	316 SS	316 SS	316 SS	
54	TUBING, 3/8" OD x .035" WALL	316 SS	316 SS	316 SS	
57	FITTING, MALE CONNECTOR	316 SS	316 SS	316 SS	
58	* GASKET, 1402 PILOT	N.A.F.	N.A.F.	N.A.F.	
63	PILOT, MODEL 1402	SS	SS	SS	
67	* O-RING, STEM GUIDE	(NOTE 3)	(NOTE 3)	(NOTE 3)	
76	LUG, LIFTING	316 SS	316 SS	316 SS	
86	BRACKET, SUPPORT, 1402 PILOT	316 SS	316 SS	316 SS	
87	SPRING, BALANCE (NOTE 4)	N/A	17-7PH SS	17-7PH SS	

\* SPARE PARTS

- (1) CHECK BOX FOR MATERIAL SELECTION.
- (2) COMPLETE OPTIONAL FEATURES BOX WHEN APPLICABLE.
- (3) SPECIFIED BY CUSTOMER.
- (4) BALANCE SPRING USED ON STL UNITS, DEPENDING ON SETTING.

DWG. NUMBER: C-92273 REV: A  
 BOM NUMBER: 92273BOM REV: A  
 REF DWG: C-92028

