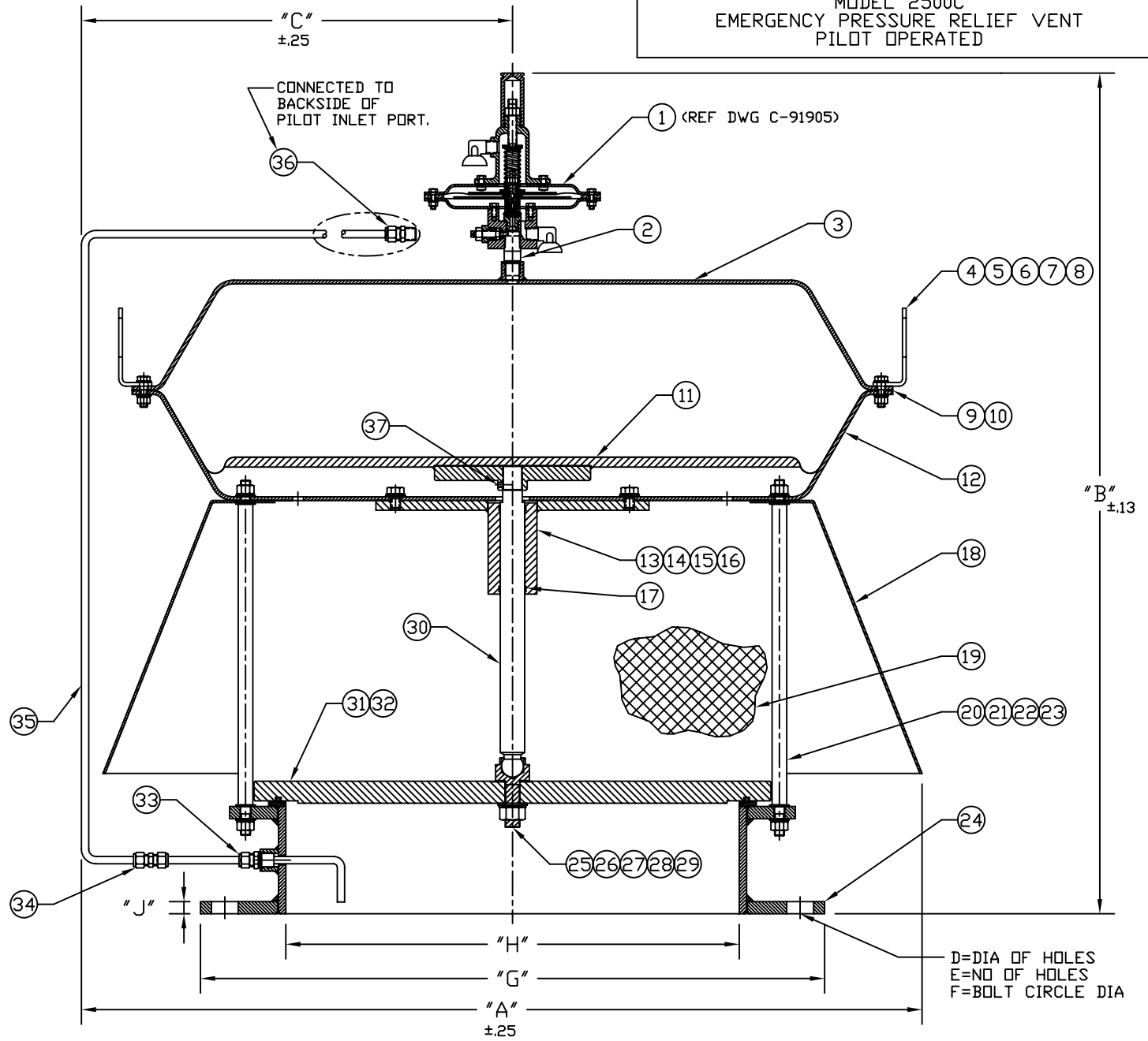


DESCRIPTION

MODEL 2500C  
EMERGENCY PRESSURE RELIEF VENT  
PILOT OPERATED



SIZE	FLANGE DRILLING	A		B		C		D		E	F		G		H		J	
		in	mm	in	mm	in	mm	in	mm	Qty	in	mm	in	mm	in	mm	in	mm
24"	150# ANSI	43.13	1096	43.13	1096	22.13	562	1.38	35	20	29.50	749	32.00	813	23.25	591	.62	16
24"	SPECIAL	43.13	1096	43.13	1096	22.13	562	.62	16	20	26.00	660	27.25	692	23.25	591	.62	16

TAGS AND SPECIFICATIONS

THIS DRAWING EMBODIES A CONFIDENTIAL PROPRIETARY DESIGN ORIGINATED BY GROTH CORPORATION, AND ALL DESIGN, MANUFACTURING, REPRODUCTION, USE AND SALE RIGHTS, REGARDING THE SAME ARE EXPRESSLY RESERVED. IT IS SUBMITTED UNDER A CONFIDENTIAL RELATIONSHIP FOR A SPECIFIED PURPOSE, AND THE RECIPIENT AGREES BY ACCEPTING THIS DRAWING NOT TO SUPPLY OR DISCLOSE ANY INFORMATION REGARDING IT TO ANY UNAUTHORIZED PERSONS OR TO INCORPORATE IN OTHER PROJECTS ANY SPECIAL FEATURES PECULIAR TO THIS DESIGN. ALL PATENTS RIGHTS HERETO ARE EXPRESSLY RESERVED BY GROTH CORPORATION, 1202 HAHLD, HOUSTON, TEXAS 77020

A	05-26-00	JEL	10065
REV.	DATE	BY	DESCRIPTION



GROTH CORPORATION  
HOUSTON, TEXAS

CERTIFIED:  
DATE:

DWG. NO. : C-92342  
DWN BY: J.E. LUJAN



**MODEL 2500C**

**GROTH CORPORATION  
HOUSTON TX, USA  
BILL OF MATERIAL**

ITEM	DESCRIPTION	STANDARD MATERIALS OF CONSTRUCTION (1)		OPTIONAL FEATURES (2)
		CARBON STL <input type="checkbox"/>	316 SS <input type="checkbox"/>	<input type="checkbox"/>
1	1401E PILOT (SEE NOTE 5)	CS	SS	
2	PIPE NIPPLE	CS	316 SS	
3	UPPER ACT. HOUSING	CS	316 SS	
4	LIFTING EYE	316 SS	316 SS	
5	HEX BOLT	316 SS	316 SS	
6	HEX NUT	316 SS	316 SS	
7	LOCK WASHER	316 SS	316 SS	
8	FLAT WASHER	316 SS	316 SS	
9	* ACTUATOR DIAPH.	FEP	FEP	
10	* ACTUATOR GASKET	PTFE	PTFE	
11	SUPPORT PLATE	CS	316 SS	
12	LOWER ACT. HOUSING	CS	316 SS	
13	STEM GUIDE	CS	316 SS	
14	HEX BOLT	316 SS	316 SS	
15	LOCK WASHER	316 SS	316 SS	
16	FLAT WASHER	316 SS	316 SS	
17	* BUSHING, STEM GUIDE	TEFLON	TEFLON	
18	WEATHERHOOD	CS	316 SS	
19	BIRD SCREEN	316 SS	316 SS	
20	W/HOOD POST	316 SS	316 SS	
21	HEX NUT	316 SS	316 SS	
22	LOCK WASHER	316 SS	316 SS	
23	FLAT WASHER	316 SS	316 SS	
24	BODY (SEE NOTE 4)	CS	316 SS	
25	SWIVEL FITTING	316 SS	316 SS	
26	* GASKET, SWIVEL FITTING	TEFLON	TEFLON	
27	HEX NUT	316 SS	316 SS	
28	LOCK WASHER	316 SS	316 SS	
29	FLAT WASHER	316 SS	316 SS	
30	STEM	316 SS	316 SS	
31	PALLET	316 SS	316 SS	
32	* O-RING, PALLET	VITON	VITON	
33	MALE CONNECTOR	316 SS	316 SS	
34	UNION	316 SS	316 SS	
35	TUBING, 3/8" OD	316 SS	316 SS	
36	MALE CONNECTOR	316 SS	316 SS	
37	SET SCREW	316 SS	316 SS	

\* SPARE PARTS

- (1) CHECK BOX FOR MATERIAL SELECTION.
- (2) CHECK OPTIONAL FEATURES BOX WHEN APPLICABLE.
- (3) NOT AVAILABLE IN ALUMINUM.
- (4) CARBON STEEL BODIES HAVE A SS SEAT OVERLAY.
- (5) ALL 316 SS PILOT AVAILABLE UPON REQUEST ONLY.

DWG. NUMBER: C-92342  
BOM NUMBER: 92342bom.xls

