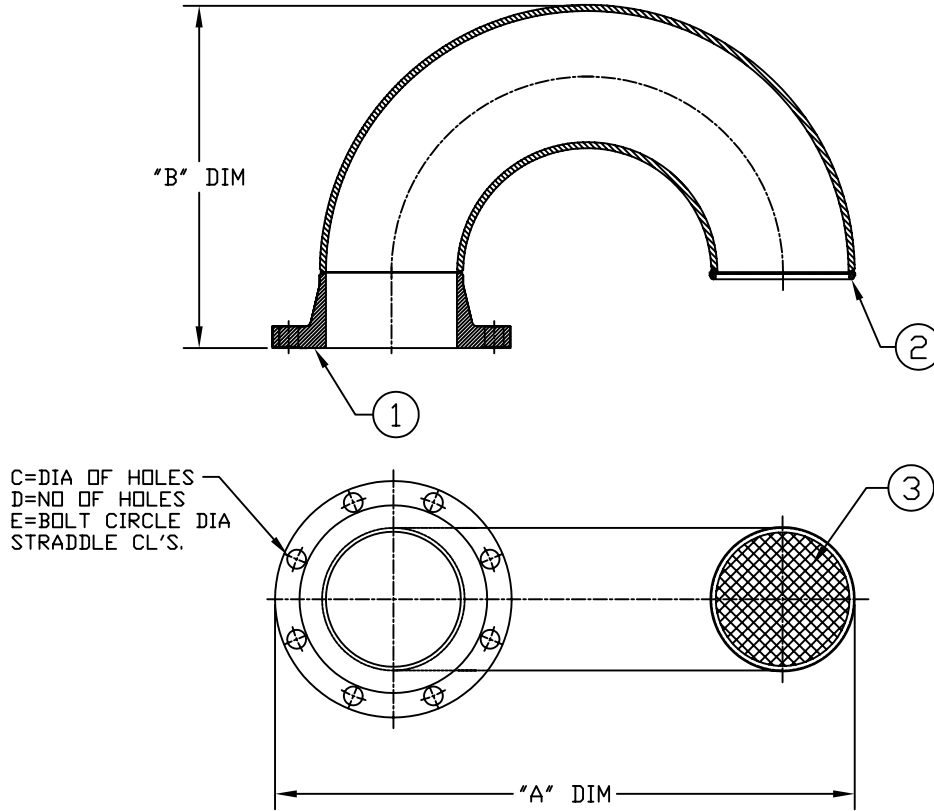


DESCRIPTION

MODEL 5000
FREE VENT
TOP MOUNT



SIZE	FLANGE DRILLING	A		B		C		D	E	
		in	mm	in	mm	in	mm		in	mm
1"	150 LB	5.78	147	4.38	111	.63	16	4	2.75	70
1.5"	150 LB	7.95	202	5.69	144	.63	16	4	3.13	80
2"	150 LB	10.19	259	6.69	170	.75	19	4	4.75	121
3"	150 LB	14.50	368	9.00	229	.75	19	4	6.00	152
4"	150 LB	18.75	476	11.25	286	.75	19	8	7.50	191
6"	150 LB	26.81	681	15.81	402	.88	22	8	9.50	241
8"	150 LB	35.06	891	20.31	516	.88	22	8	11.75	298
10"	150 LB	43.38	1102	24.38	619	1.00	25	12	14.25	362
12"	150 LB	51.88	1318	28.88	733	1.00	25	12	17.00	432

NOTE: WHEN APPLICABLE BODY WILL USE (2) 90° ELBOWS.

TAGS AND SPECIFICATIONS

THIS DRAWING EMBODIES A CONFIDENTIAL PROPRIETARY DESIGN ORIGINATED BY GROTH CORPORATION, AND ALL DESIGN, MANUFACTURING, REPRODUCTION, USE AND SALE RIGHTS, REGARDING THE SAME ARE EXPRESSLY RESERVED. IT IS SUBMITTED UNDER A CONFIDENTIAL RELATIONSHIP FOR A SPECIFIED PURPOSE, AND THE RECIPIENT AGREES BY ACCEPTING THIS DRAWING NOT TO SUPPLY OR DISCLOSE ANY INFORMATION REGARDING IT TO ANY UNAUTHORIZED PERSONS OR TO INCORPORATE IN OTHER PROJECTS ANY SPECIAL FEATURES PECULIAR TO THIS DESIGN. ALL PATENTS RIGHTS HERETO ARE EXPRESSLY RESERVED BY GROTH CORPORATION, 1202 HAHLD, HOUSTON, TEXAS 77020

A	04-14-00	MAL	10043
REV.	DATE	BY	DESCRIPTION



GROTH CORPORATION
HOUSTON, TEXAS

CERTIFIED:
DATE:

DWG. NO. : C-84606
DWN BY: ES QUINTERO

MODEL 5000

**GROTH CORPORATION
HOUSTON TX, USA
BILL OF MATERIAL**

ITEM	DESCRIPTION	STANDARD MATERIALS OF CONSTRUCTION (1)		OPTIONAL FEATURES (2)			
		CARBON STL <input type="checkbox"/>	316 SS <input type="checkbox"/>	<input type="checkbox"/>			
1	BODY	CS	316 SS	<table border="1"><tr><td> </td></tr><tr><td> </td></tr><tr><td> </td></tr></table>			
2	ROUND BAR	316 SS	316 SS				
3	WIRE MESH	316 SS	316 SS				

* SPARE PARTS

- (1) CHECK BOX FOR MATERIAL SELECTION.
- (2) CHECK OPTIONAL FEATURES BOX WHEN APPLICABLE.

DWG. NUMBER:
BOM NUMBER:

C-84606
84606BOM.DOC

