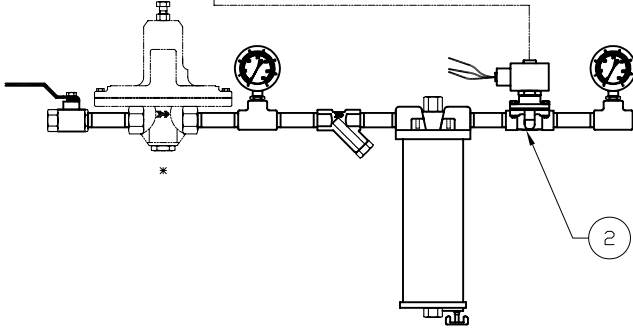
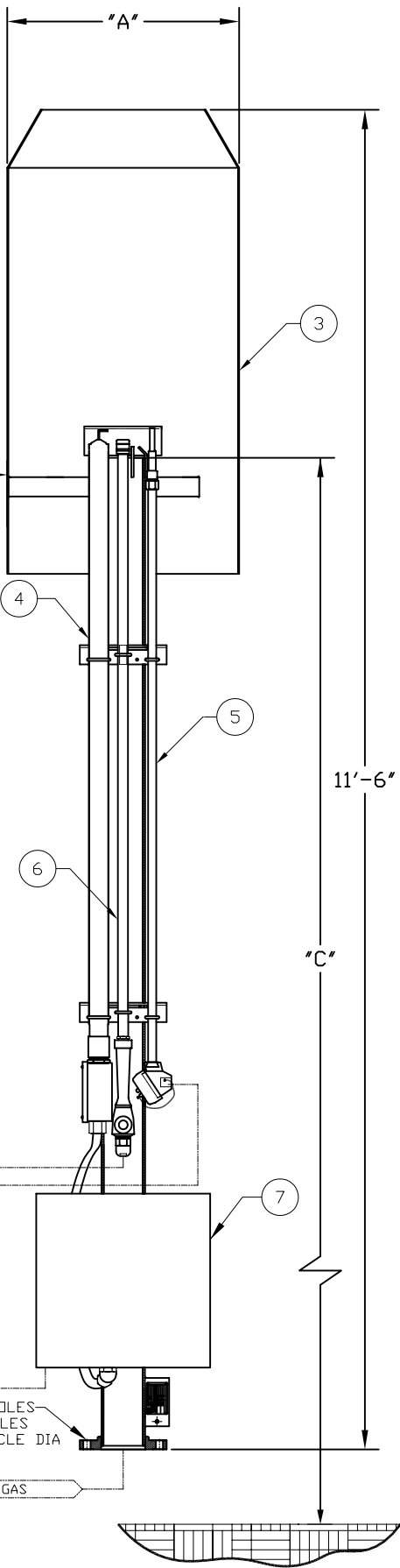


GROTH MODEL 8391B
WASTE GAS BURNER
AUTOMATIC PILOT CONTROL
THERMOCOUPLE FLAME SENSING
w/FLANGE MOUNT



*=INDICATES OPTIONAL
DIMENSIONS IN PARENTHESIS ARE IN MILLIMETERS & KILOGRAMS.

SIZE	FLANGE DRILLING	A IN	B FT	C FT	D IN	E	F IN	WEIGHT LBS
2"	150 LB	18 (457)	8 (2438)	10 (3048)	.75 (19)	4	4.75 (121)	200 (91)
3"	150 LB	18 (457)	10 (3048)	12 (3658)	.75 (19)	4	6.00 (152)	225 (102)
4"	150 LB	24 (610)	15 (4572)	12 (3658)	.75 (19)	8	7.50 (190)	300 (130)
6"	150 LB	24 (610)	22 (6706)	12 (3658)	.88 (22)	8	9.50 (241)	375 (170)
8"	150 LB	30 (762)	28 (8534)	16 (4877)	.88 (22)	8	11.75 (298)	525 (238)
10"	150 LB	36 (914)	36 (10973)	20 (6096)	1.00 (25)	12	14.25 (362)	600 (272)
12"	150 LB	36 (914)	42 (12802)	25 (7620)	1.00 (25)	12	17.00 (432)	675 (306)

TAGS AND SPECIFICATIONS

D=DIA OF HOLES
E=NO OF HOLES
F=BOLT CIRCLE DIA

NOTE: DIMENSIONS "B" & "C" ARE MINIMUM DISTANCES RECOMMENDED FOR PERSONNEL PROTECTION.



GROTH CORPORATION
HOUSTON, TEXAS

CERTIFIED

DWG. NO. C-87532

REVISION:

DATE:

**BILL OF MATERIALS
WASTE GAS BURNER SUBMITTAL
8391B-XX-X-FS24**

DWG NO 87532

BOM NO. 87532BOM.DOC

REV _____ APPROVED _____ DATE _____

ITEM	QTY	DESCRIPTION	DRAWING
1	1	CONTROL PANEL AUTOMATIC ELECTRIC IGNITION CONTROL THERMOCOUPLE PILOT FLAME SENSOR REFER TO DRAWINGS FOR ENCLOSURE CLASSIFICATION AND OPTIONAL EQUIPMENT.	87462 87463
2	1	PILOT FUEL MANIFOLD CARBON STEEL PIPE, FITTINGS AND ISOLATION VALVE 304 SS GAGES, 0-40 IN WC OR 0-15 PSIG EXPLOSION PROOF ALUMINUM SOLENOID VALVE CAST IRON STRAINER AND FILTER {OPTIONAL: ALL COMPONENTS ATTACHED TO CS MOUNTING PLATE.}	84458 84961
3	1	WELDMENT, BURNER, 150# RAISED FACE FLANGED STANDARD CONSTRUCTION IS CARBON STEEL WITH ALL 304 SS IN THE FLAME AREA [ABOVE BOTTOM OF WINDSHIELD]. {OPTIONAL CONSTRUCTION: ALL 304 SS, INCLUDING BRACKETS.}	
4	1	ELECTRODE ASSEMBLY 304 SS PIPE HOUSING AND ELECTRODE CERAMIC INSULATORS NEMA 4 CS ENCLOSURE FOR CONNECTION {NEMA 4X 304 SS ENCLOSURE USED WITH ALL 304 SS BURNER.}	
5	1	PILOT FLAME SENSOR, THERMOCOUPLE ASSEMBLY, TYPE "K" 304 SS WELL ALUMINUM CONDUIT CONNECTION	
6	1	PILOT BURNER ASSY 304 SS PIPE, NOZZLE AND DEFLECTOR PLATE CAST IRON AIR INSPIRATING VENTURI AND FLAME CHECK ASSY	
7	1	TRANSFORMER ENCLOSURE ASSEMBLY NEMA 4 CS ENCLOSURE {NEMA 4X 304 SS ENCLOSURE USED WITH ALL 304 SS BURNER.}	