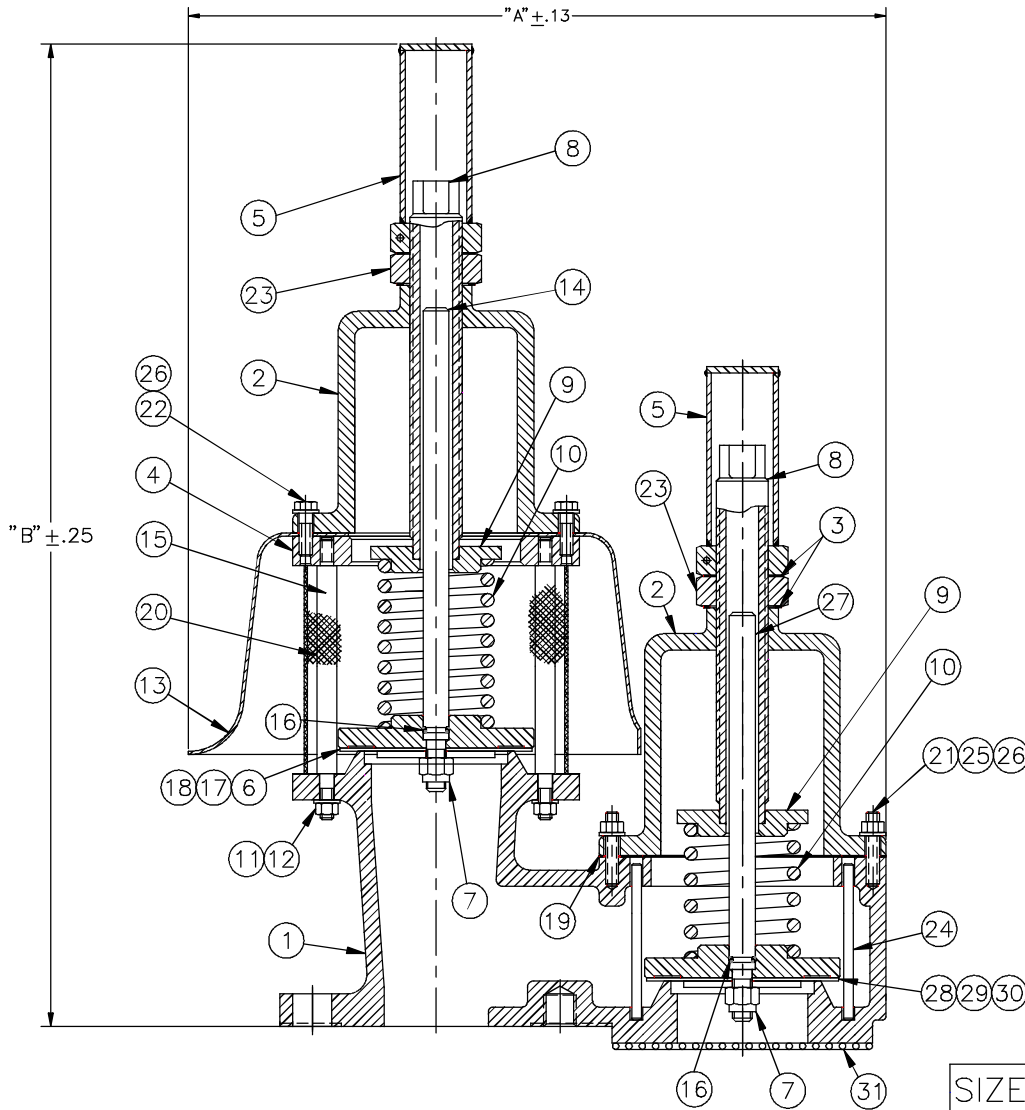


DESCRIPTION

MODEL 1203A
PRESSURE/VACUUM RELIEF VENT
SPRING LOADED



NOTES:

1. "C" DIMENSION (NOT SHOWN) IS MAXIMUM WIDTH.
2. SEE DRAWING C-92526 FOR ANSI, PN10/16 & JIS10K DRILLING PATTERNS.

SIZE	A		B		C	
	IN	MM	IN	MM	IN	MM
2"	13.75	349	19.88	505	9.50	241
3"	18.50	470	22.75	578	13.00	330
4"	19.63	499	27.50	699	13.00	330
6"	28.00	635	37.75	959	19.50	495
8"	33.75	857	44.50	1130	23.50	597
10"	38.25	972	53.00	1346	25.50	648
12"	41.00	1041	55.63	1413	25.50	648

ORDER SPECIFICATIONS

THIS DOCUMENT IS CONFIDENTIAL WITH ALL RIGHTS AND TITLES RESERVED AND IS PRESENTED SOLELY FOR THE USE OF YOUR ORGANIZATION ON BEHALF OF CONTINENTAL DISC CORPORATION AND ITS SUBSIDIARIES. THE DOCUMENT AND THE INFORMATION INCLUDED MAY NOT BE USED OR REPRODUCED IN WHOLE OR IN PART FOR THE BENEFIT OF YOUR ORGANIZATION OR ANYONE ELSE, AND MAY NOT BE TRANSMITTED TO PERSONS OUTSIDE OF YOUR ORGANIZATION WITHOUT THE WRITTEN AUTHORIZATION OF CONTINENTAL DISC CORPORATION

F	6-7-10	BPM	11669
REV.	DATE	BY	ECN NUMBER



a Continental Disc Company
13650 N. Promenade Blvd.
Stafford, Texas
77477

APPROVED BY: B. MOYER	CHECKED BY: G. SENTENO	DWG. NO.: 83779
DATE: 6-16-10	DATE: 6-16-10	DWN BY: D. RODRIGUEZ

ITEM	DESCRIPTION	STANDARD MATERIALS OF CONSTRUCTION			OPTIONAL FEATURES
		ALUMINUM <input type="checkbox"/>	CARBON STEEL <input type="checkbox"/>	316 SS <input type="checkbox"/>	<input type="checkbox"/>
1	BODY	AL (GR 356 T6)	CS (GR. WCB)	316 SS(GR. CF8M)	
2	SPRING CHAMBER	AL (GR 356 T6)	CS(GR. WCB)	316 SS(GR. CF8M)	
3	* CAP GASKET	316 SS	316 SS	316 SS	
4	PLATE SUPPORT	CS	CS	316 SS	
5	CAP	CS	CS	316 SS	
6	PRESSURE PALLET	316 SS	316 SS	316 SS	
7	HEX EXPANDING LOCK NUT	SS	SS	SS	
8	ADJUSTMENT SCREW	316 SS	316 SS	316 SS	
9	SPRING BUTTON	316 SS	316 SS	316 SS	
10	SPRING(1)	CS	CS	17-7 PH SS	
11	HEX NUT	SS	SS	SS	
12	LOCK WASHER	SS	SS	SS	
13	WEATHERHOOD	AL (GR 356 T6)	CS	SS	
14	PRESSURE STEM	316 SS	316 SS	316 SS	
15	POST WEATHERHOOD	316 SS	316 SS	316 SS	
16	* O-RING(3)	VITON	VITON	VITON	
17	* PRESSURE DIAPHRAGM (2)(3)	FEP TEFLON®	FEP TEFLON®	FEP TEFLON®	
18	PRESSURE RETAINER PLATE	316 SS	316 SS	316 SS	
19	* COVER GASKET	TFE TEFLON®	TFE TEFLON®	TFE TEFLON®	
20	SCREEN, PRESSURE	316 SS	316 SS	316 SS	
21	STUD	SS	SS	SS	
22	BOLT, HEX	SS	SS	SS	
23	* HEX NUT	SS	SS	SS	
24	GUIDE ROD	316 SS	316 SS	316 SS	
25	HEX NUT	SS	SS	SS	
26	LOCK WASHER	SS	SS	SS	
27	VACUUM STEM	316 SS	316 SS	316 SS	
28	VACUUM PALLET	316 SS	316 SS	316 SS	
29	* VACUUM DIAPHRAGM (2)(3)	FEP TEFLON®	FEP TEFLON®	FEP TEFLON®	
30	VACUUM RETAINER PLATE	316 SS	316 SS	316 SS	
31	VACUUM SCREEN ASSY. (OPTIONAL)	316 SS	316 SS	316 SS	
32	SEAT INSERT (NOT SHOWN)(4)	N/A	316 SS	N/A	

* SPARE PARTS

- (1) ALTERNATE SPRING MATERIALS: ALL UNITS - 316 SS, CS UNITS - 17-7 PH SS
- (2) Teflon® is a registered trademark of E.I. du Pont de Nemours and Co. used under license.
- (3) ELASTOMERS ALSO AVAILABLE IN AFLAS, BUNA-N, EPDM & KALREZ
- (4) STANDARD -C.S. UNITS (WELDED) OPTIONAL - AL UNITS (BONDED)

DWG. NUMBER:
BOM NUMBER:

83779
83779BOM.XLS

REV. F
REV. F

