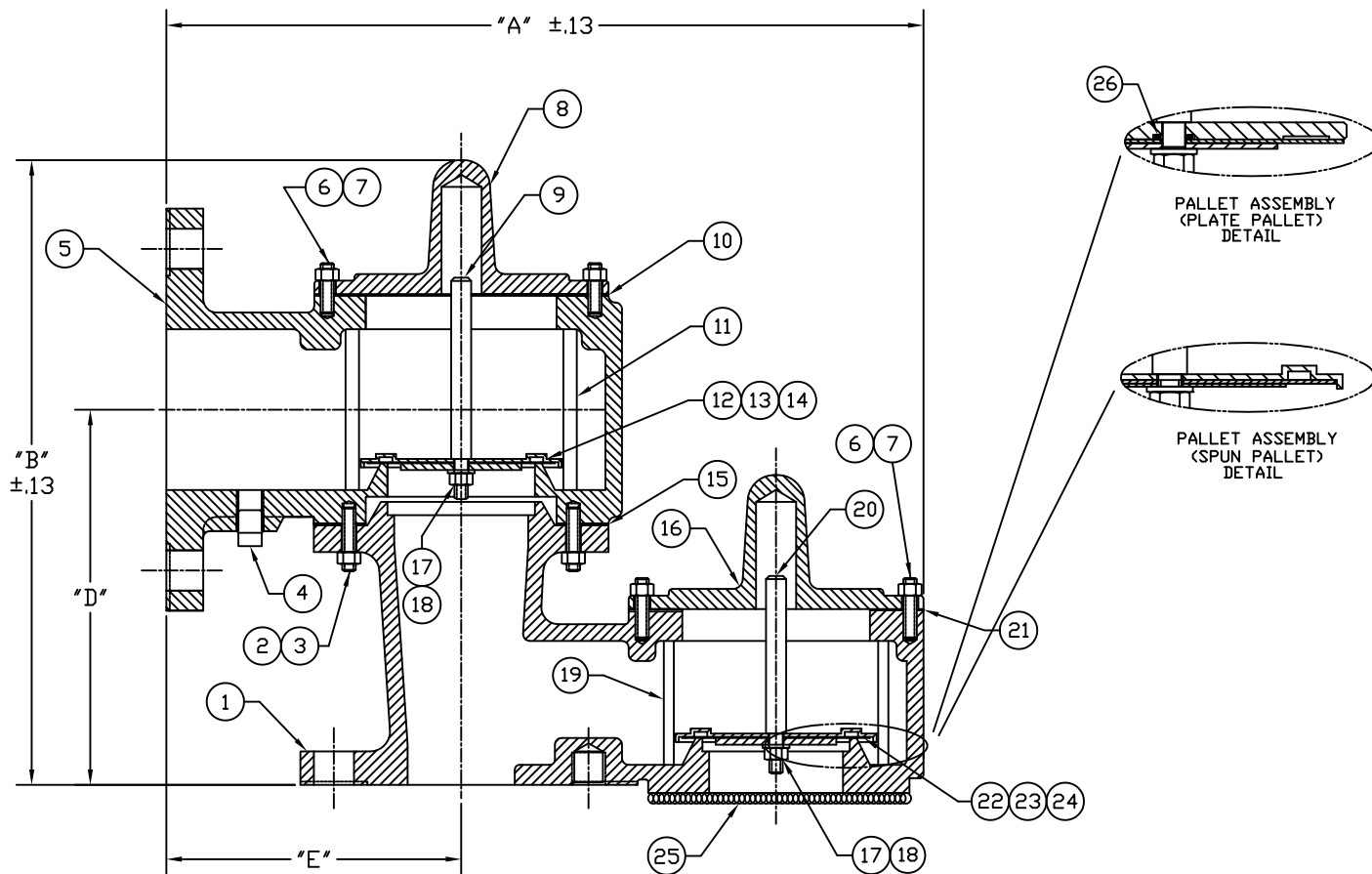


MODEL 1220A
PRESSURE/VACUUM RELIEF VENT
WEIGHT LOADED



- NOTES:
1. "C" DIMENSION (NOT SHOWN) IS MAX. WIDTH.
2. SEE DWG C-92526 FOR ANSI, PN10/PN16 & JIS10K DRILLING PATTERNS.

SIZE	A		B		C		D		E	
	In.	mm	In.	mm	In.	mm	In.	mm	In.	mm
2" x 3"	14.25	362	12.38	314	7.50	191	7.00	178	5.50	140
3" x 4"	18.00	457	14.88	378	9.00	229	8.13	207	6.00	152
4" x 6"	19.25	489	18.00	457	11.00	279	9.50	241	6.50	165
6" x 8"	26.50	673	23.88	607	13.50	343	12.75	324	8.50	216
8" x 10"	32.50	826	28.75	730	16.00	406	15.25	387	10.75	273
10" x 12"	37.50	953	34.00	864	19.00	483	18.00	457	12.50	318
12" x 14"	42.75	1086	39.00	991	21.00	533	20.63	524	15.00	381

TAGS AND SPECIFICATIONS

THIS DRAWING EMBODIES A CONFIDENTIAL PROPRIETARY DESIGN ORIGINATED BY GROTH CORPORATION, AND ALL DESIGN, MANUFACTURING, REPRODUCTION, USE AND SALE RIGHTS, REGARDING THE SAME ARE EXPRESSLY RESERVED. IT IS SUBMITTED UNDER A CONFIDENTIAL RELATIONSHIP FOR A SPECIFIED PURPOSE, AND THE RECIPIENT AGREES BY ACCEPTING THIS DRAWING NOT TO SUPPLY OR DISCLOSE ANY INFORMATION REGARDING IT TO ANY UNAUTHORIZED PERSONS OR TO INCORPORATE IN OTHER PROJECTS ANY SPECIAL FEATURES PECULIAR TO THIS DESIGN. ALL PATENTS RIGHTS HERETO ARE EXPRESSLY RESERVED BY GROTH CORPORATION, 1202 HAHLD, HOUSTON, TEXAS 77020

REV.	DATE	BY	ECN NO.
N	10-10-94	ESQ	940145
P	9-20-01	MP	10276



GROTH CORPORATION
a Continental Disc Company

APPROVED BY:	CHECKED BY:	DWG. NO. : C-84367
DATE:	DATE:	DWN BY: --

ITEM	DESCRIPTION	STANDARD MATERIALS OF CONSTRUCTION			OPTIONAL FEATURES
		ALUMINUM □	CARBON STEEL □	316 SS □	
1	BODY	AL (GR. 356 T6)	CS (WCB)	CF-8M (316 SS)	
2	NUT, HEX	SS	SS	SS	
3	STUD	SS	SS	SS	
4	PLUG, PIPE	CS	CS	SS	
5	OUTLET	AL (GR. 356 T6)	CS (WCB)	CF-8M (316 SS)	
6	STUD	SS	SS	SS	
7	NUT, HEX	SS	SS	SS	
8	COVER	AL (GR. 356 T6)	CS (WCB)	CF-8M (316 SS)	
9	STEM - PRESSURE	316 SS	316 SS	316 SS	
10	* GASKET - COVER	NON-ASB	NON-ASB	NON-ASB	
11	ROD, GUIDE	316 SS	316 SS	316 SS	
12	PALLET, PRESSURE	316 SS	316 SS	316 SS	
13	* DIAPHRAGM, PRESSURE (1)	TEFLON® FEP	TEFLON® FEP	TEFLON® FEP	
14	PLATE, RETAINER (PRESSURE)	316 SS	316 SS	316 SS	
15	* GASKET, INLET	NON-ASB	NON-ASB	NON-ASB	
16	COVER	AL (GR. 356 T6)	CS (WCB)	AL (GR. 356 T6)	
17	WASHER, LOCK	SS	SS	SS	
18	NUT, HEX	SS	SS	SS	
19	ROD, GUIDE	316 SS	316 SS	316 SS	
20	STEM, VACUUM	316 SS	316 SS	316 SS	
21	* GASKET, COVER	NON-ASB	NON-ASB	NON-ASB	
22	PALLET, VACUUM	316 SS	316 SS	316 SS	
23	* DIAPHRAGM, VACUUM (1)	TEFLON® FEP	TEFLON® FEP	TEFLON® FEP	
24	PLATE, RETAINER (VACUUM)	316 SS	316 SS	316 SS	
25	SCREEN (OPTIONAL)	316 SS	316 SS	316 SS	
26	O-RING (PLATE PALLET) (2)	VITON	VITON	VITON	
27	INSERT, SEAT (3) (NOT SHOWN)	OPTIONAL	OPTIONAL	OPTIONAL	
28	PALLET WEIGHT (4) (NOT SHOWN)	LEAD	LEAD	LEAD	

* SPARE PARTS

- (1) Teflon® is a registered trademark of E.I. du Pont de Nemours and Co. used under license.
- (2) ELASTOMERS ALSO AVAILABLE IN AFLAS, BUNA-N, EPR & KALREZ
- (3) STANDARD - C.S. UNITS (WELDED); OPTIONAL - ALUM UNITS (BONDED)
- (4) AVAILABLE IN 316 SS; CONSULT FACTORY FOR ALT. MATERIALS.

DWG. NUMBER:
BOM NUMBER:

C-84367
84367BOM.XLS

REV.: A

