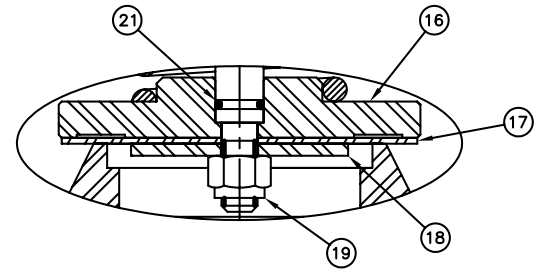
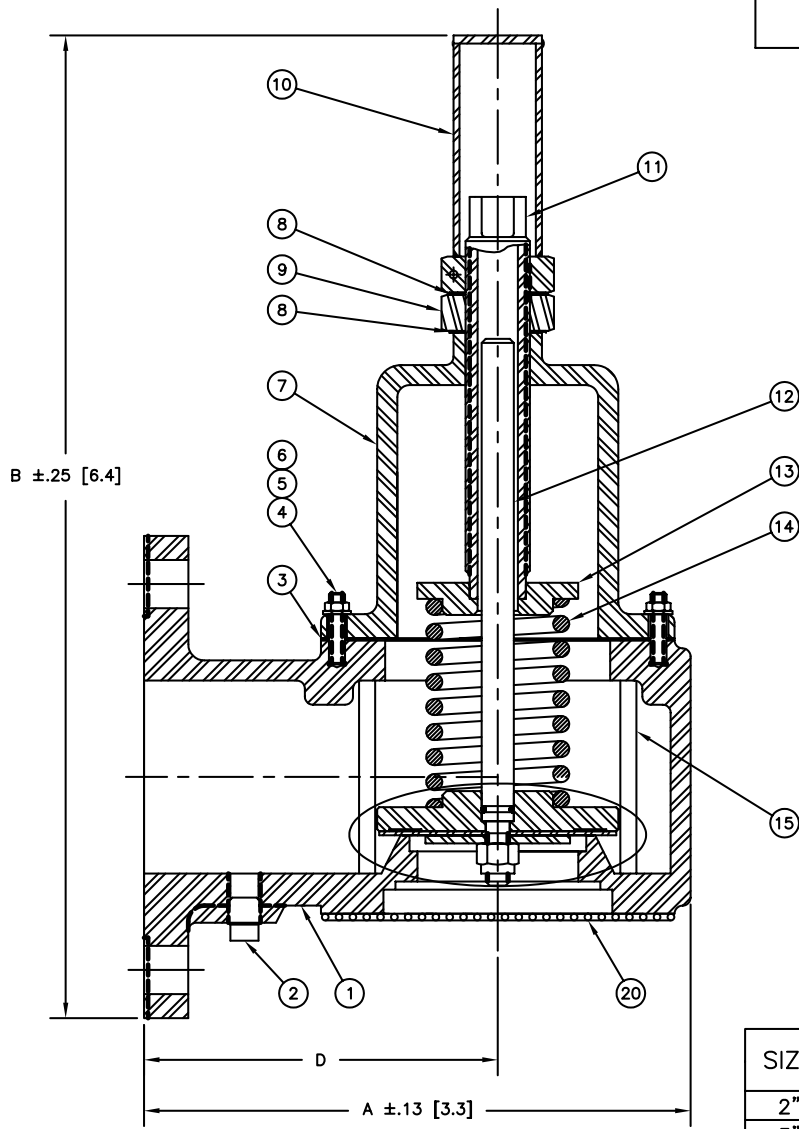


DESCRIPTION

MODEL 1361A  
VACUUM RELIEF VENT  
SPRING LOADED



VACUUM  
PALLET ASSEMBLY  
DETAIL

- NOTES:  
1. "C" DIMENSION (NOT SHOWN) IS MAX. WIDTH.  
2. SEE DWG C-92526 FOR ANSI, PN10/PN16 & JIS10K DRILLING PATTERNS.

SIZE	A		B		C		D	
	IN	MM	IN	MM	IN	MM	IN	MM
2"	7.75	197	18.50	470	6.50	165	4.75	121
3"	8.50	216	16.13	410	7.50	191	5.50	140
4"	10.00	254	19.50	495	9.00	229	6.00	152
6"	10.75	273	24.38	619	11.00	279	6.50	165
8"	14.50	368	33.63	854	13.50	343	8.50	216
10"	18.13	461	38.88	988	16.00	406	10.75	273
12"	20.75	527	44.75	1137	19.00	483	12.50	318
14"	24.25	616	48.50	1232	21.00	533	15.00	381

TAGS AND SPECIFICATIONS

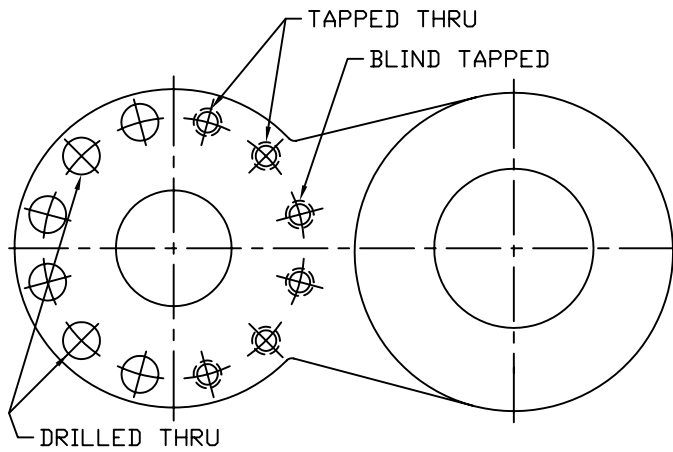
THIS DRAWING EMBODIES A CONFIDENTIAL PROPRIETARY DESIGN ORIGINATED BY GROTH CORPORATION, AND ALL DESIGN, MANUFACTURING, REPRODUCTION, USE AND SALE RIGHTS, REGARDING THE SAME ARE EXPRESSLY RESERVED. IT IS SUBMITTED UNDER A CONFIDENTIAL RELATIONSHIP FOR A SPECIFIC PURPOSE, AND THE RECIPIENT AGREES BY ACCEPTING THIS DRAWING NOT TO SUPPLY OR DISCLOSE ANY INFORMATION REGARDING IT TO ANY UNAUTHORIZED PERSONS OR TO INCORPORATE IN OTHER PROJECTS, ANY SPECIAL FEATURES PECULIAR TO THIS DESIGN. ALL PATENTS RIGHTS HERETO ARE EXPRESSLY RESERVED BY GROTH CORPORATION, 13650 N. PROMENADE, STAFFORD, TX. 77477



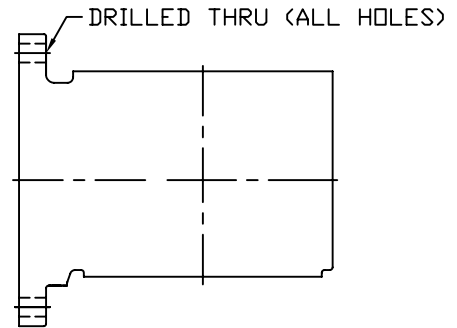
a Continental Disc Company  
13650 N. Promenade Blvd.  
Stafford, Texas  
77477

B	8-17-05	KR	10847	APPROVED BY:	CHECKED BY:	DWG. NO.:
A	10-23-01	ESQ	10276	M. ANDERSON	G. SENTENO	A-92297
REV.	DATE	BY	DESCRIPTION	DATE:	DATE:	OWN BY:
				10-31-01	10-31-01	J.E. LUJAN

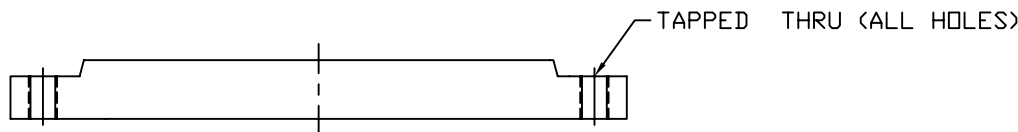
1200A SERIES  
FLANGE DRILLING DIMENSION TABLES  
(ANSI 150#, DIN PN10/16, JIS 10K)



INLET FLANGE  
(VIEWED FROM BOTTOM)  
MODELS: 1200A, 1220A, 1300A  
1201B, 1221B, 1301A



OUTLET FLANGE  
MODELS: 1220A, 1260A, 1360A  
1221B, 1261A, 1361A



BODY  
MODELS: 2300A & 2301A

DRILLED HOLES

SIZE	FLANGE DRILLING	HOLE DIA.		TAPPED HOLE	NO. OF HOLES	BOLT CIRCLE DIA.	
		in	mm			in	mm
2"	ANSI 150#	.75	19	5/8-11 UNC-2B	4	4.75	121
3"	ANSI 150#	.75	19	5/8-11 UNC-2B	4	6.00	152
4"	ANSI 150#	.75	19	5/8-11 UNC-2B	8	7.50	191
6"	ANSI 150#	.88	22	3/4-10 UNC-2B	8	9.50	241
8"	ANSI 150#	.88	22	3/4-10 UNC-2B	8	11.75	298
10"	ANSI 150#	1.00	25	7/8-9 UNC-2B	12	14.25	362
12"	ANSI 150#	1.00	25	7/8-9 UNC-2B	12	17.00	432
14"	ANSI 150#	1.13	29	1 -12 UNC-2B	12	18.75	476

SIZE	FLANGE DRILLING	HOLE DIA.		TAPPED HOLE	NO. OF HOLES	BOLT CIRCLE DIA.	
		in	mm			in	mm
2"	JIS 10K	.75	19	M16 x 2.0-6H	4	4.72	120
3"	JIS 10K	.75	19	M16 x 2.0-6H	8	5.91	150
4"	JIS 10K	.75	19	M16 x 2.0-6H	8	6.89	175
6"	JIS 10K	.91	23	M20 x 2.5-6H	8	9.45	240
8"	JIS 10K	.91	23	M20 x 2.5-6H	12	11.42	290
10"	JIS 10K	.98	25	M22 x 2.5-6H	12	13.98	355
12"	JIS 10K	.98	25	M22 x 2.5-6H	16	15.75	400
14"	JIS 10K	.98	25	M22 x 2.5-6H	16	17.52	445

SIZE	FLANGE DRILLING	HOLE DIA.		TAPPED HOLE	NO. OF HOLES	BOLT CIRCLE DIA.	
		in	mm			in	mm
2"	PN 10	.71	18	M16 x 2.0-6H	4	4.92	125
3"	PN 10	.71	18	M16 x 2.0-6H	8	6.30	160
4"	PN 10	.71	18	M16 x 2.0-6H	8	7.09	180
6"	PN 10	.87	22	M20 x 2.5-6H	8	9.45	240
8"	PN 10	.87	22	M20 x 2.5-6H	8	11.61	295
10"	PN 10	.87	22	M20 x 2.5-6H	12	13.78	350
12"	PN 10	.87	22	M20 x 2.5-6H	12	15.75	400
14"	PN 10	.87	22	M20 x 2.5-6H	16	18.11	460

SIZE	FLANGE DRILLING	HOLE DIA.		TAPPED HOLE	NO. OF HOLES	BOLT CIRCLE DIA.	
		in	mm			in	mm
2"	PN 16	.71	18	M16 x 2.0-6H	4	4.92	125
3"	PN 16	.71	18	M16 x 2.0-6H	8	6.30	160
4"	PN 16	.71	18	M16 x 2.0-6H	8	7.09	180
6"	PN 16	.87	22	M20 x 2.5-6H	8	9.45	240
8"	PN 16	.87	22	M20 x 2.5-6H	12	11.61	295
10"	PN 16	1.02	26	M24 x 3.0-6H	12	13.98	355
12"	PN 16	1.02	26	M24 x 3.0-6H	12	16.14	410
14"	PN 16	1.02	26	M24 x 3.0-6H	16	18.50	470

THIS DRAWING EMBODIES A CONFIDENTIAL PROPRIETARY DESIGN ORIGINATED BY GROTH CORPORATION, AND ALL DESIGN, MANUFACTURING, REPRODUCTION, USE AND SALE RIGHTS, REGARDING THE SAME ARE EXPRESSLY RESERVED. IT IS SUBMITTED UNDER A CONFIDENTIAL RELATIONSHIP FOR A SPECIFIED PURPOSE, AND THE RECIPIENT AGREES BY ACCEPTING THIS DRAWING NOT TO SUPPLY OR DISCLOSE ANY INFORMATION REGARDING IT TO ANY UNAUTHORIZED PERSONS OR TO INCORPORATE IN OTHER PROJECTS ANY SPECIAL FEATURES PECULIAR TO THIS DESIGN. ALL PATENTS RIGHTS HERETO ARE EXPRESSLY RESERVED BY GROTH CORPORATION, 1202 HAHLO, HOUSTON, TEXAS 77020

REV.	DATE	BY	ECN NO.
A	08-22-01	ESQ	10276



GROTH CORPORATION  
a Continental Disc Company

APPROVED BY:	CHECKED BY:	DWG. NO. : C-92526
DATE:	DATE:	DWN BY: ES QUINTERO

**MODEL 1361A**

**BILL OF MATERIAL**

ITEM	DESCRIPTION	STANDARD MATERIALS OF CONSTRUCTION			OPTIONAL FEATURES
		ALUMINUM <input type="checkbox"/>	CARBON STL <input type="checkbox"/>	316 SS <input type="checkbox"/>	
1	OUTLET	AL GR 356 T6	CS WCB	CF-8M (316 SS)	
2	PLUG, PIPE	CS	CS	316 SS	
3	* GASKET, COVER	Teflon® PTFE	Teflon® PTFE	Teflon® PTFE	
4	STUD	SS	SS	SS	
5	NUT, HEX	SS	SS	SS	
6	WASHER, LOCK	SS	SS	SS	
7	CHAMBER, SPRING	AL GR 356 T6	CS WCB	CF-8M (316 SS)	
8	GASKET, CAP	SS	SS	SS	
9	NUT, HEX JAM	SS	SS	SS	
10	CAP	CS	CS	316 SS	
11	SCREW, ADJUSTMENT	316 SS	316 SS	316 SS	
12	STEM, VACUUM	316 SS	316 SS	316 SS	
13	BUTTON, SPRING	316 SS	316 SS	316 SS	
14	SPRING <b>(1)</b>	CS	CS	17-7 PH SS	
15	ROD, GUIDE	316 SS	316 SS	316 SS	
16	PALLET, VACUUM	316 SS	316 SS	316 SS	
17	* DIAPHRAGM, VACUUM <b>(2)</b>	Teflon® FEP	Teflon® FEP	Teflon® FEP	
18	PLATE, RETAINER (VACUUM)	316 SS	316 SS	316 SS	
19	NUT, HEX LOCK	SS	SS	SS	
20	SCREEN (OPTIONAL)	316 SS	316 SS	316 SS	
21	* O-RING, STEM <b>(3)</b>	VITON	VITON	VITON	
22	SEAT - INSERT <b>(4)</b> (NOT SHOWN)	OPTIONAL	316 SS	N/A	

\* SPARE PARTS

**(1)** ALTERNATE SPRING MATERIALS: AL/CS UNITS - CHROME SILICON & 5160;  
316 SS UNITS - 17-4 PH SS

**(2)** Teflon® is a registered trademark of E.I. du Pont de Nemours and Co. used under license.

**(3)** ELASTOMERS ALSO AVAILABLE IN AFLAS, BUNA-N, EPR & KALREZ

**(4)** OPTIONAL SEAT: AL UNITS - BONDED; CS UNITS - WELDED.

DWG. NUMBER:  
BOM NUMBER:

C-92297  
92297bom.xls

