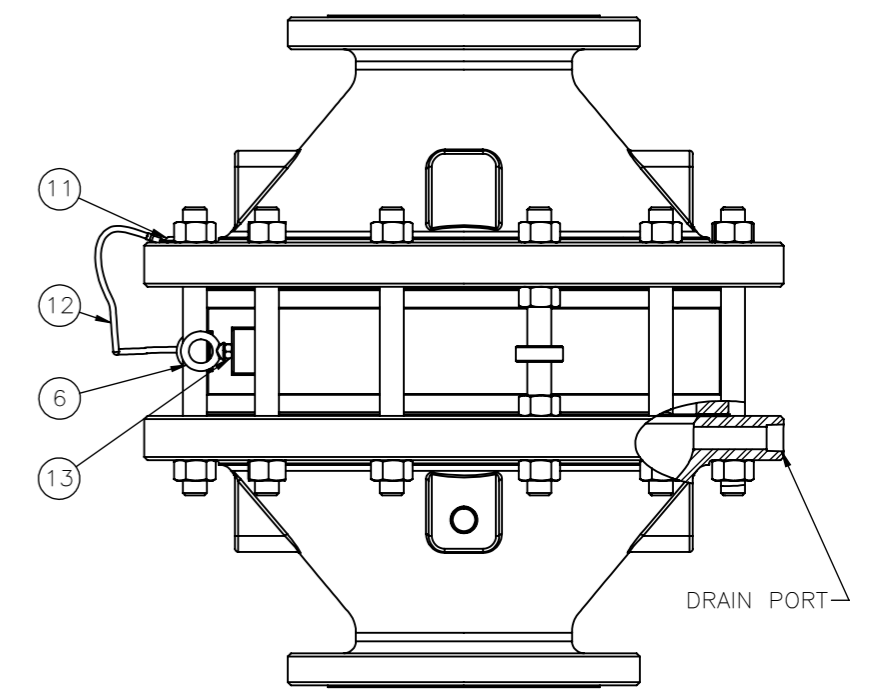
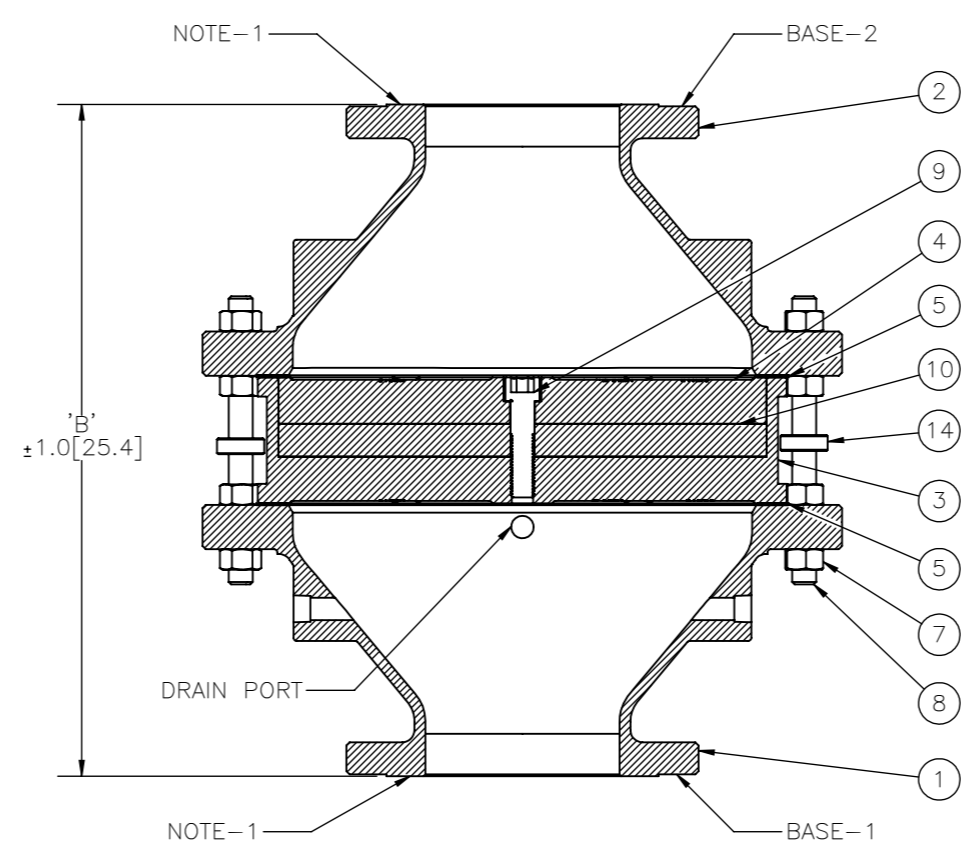
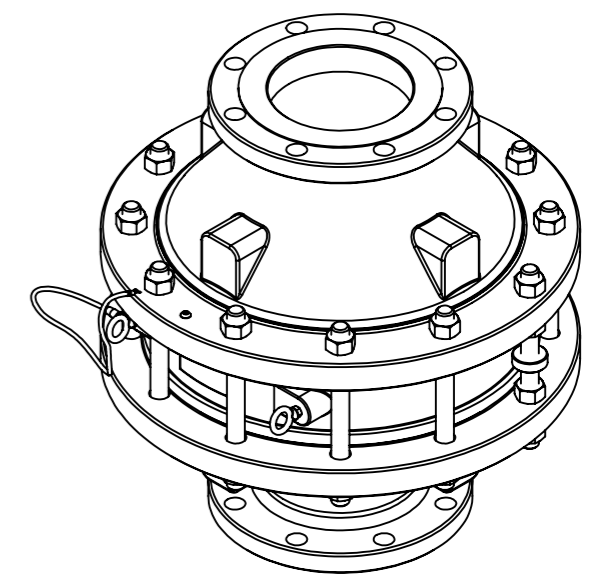
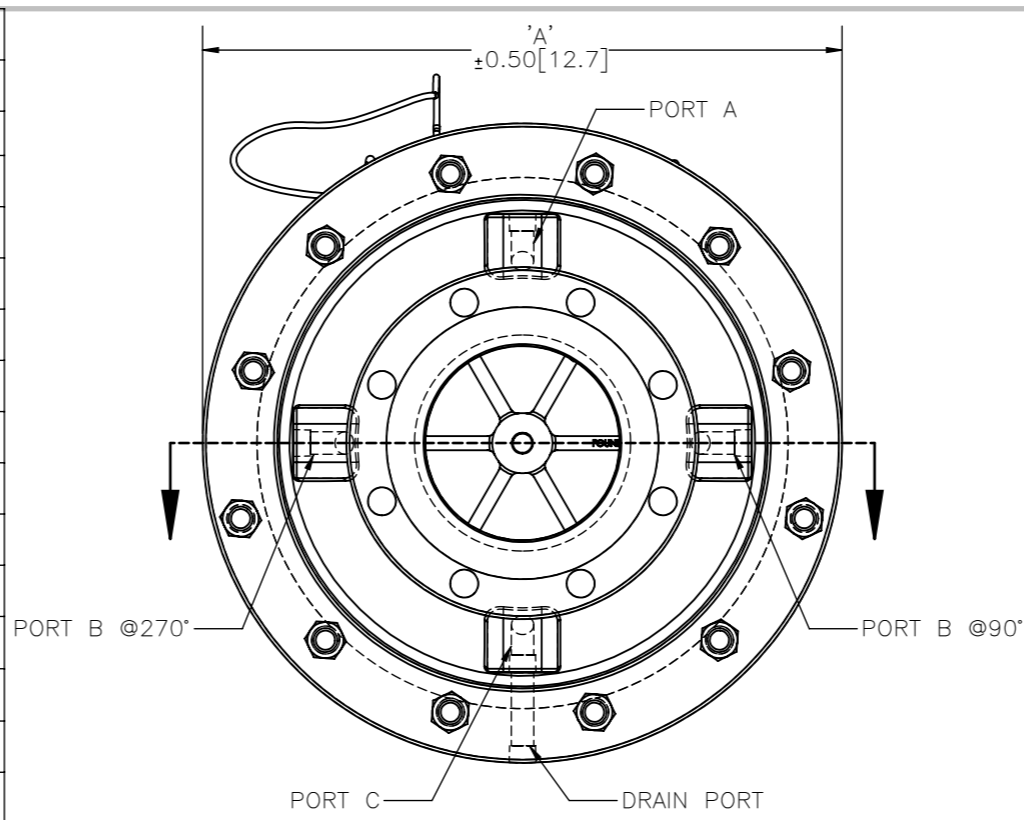


14	BUSHING (IF APPLICABLE)	SS	SS	SS
13	HEX NUT	SS	SS	SS
12	BONDING STRAP	COPPER	COPPER	COPPER
11	CAPSCREW	SS	SS	SS
10	ELEMENT	SS	SS	SS
9	SOCKETHEAD CAPSCREW	SS	SS	SS
8	STUD	SS	SS	SS
7	HEX NUT	SS	SS	SS
6	EYEBOLT (IF APPLICABLE)	GALV	GALV	GALV
5	GASKET	NON ASBESTOS	NON ASBESTOS	NON ASBESTOS
4	WAGON WHEEL	CS(WCB)	CS(WCB)	CF8M (316 SS)
3	ELEMENT HOUSING	CS(WCB)	CS(WCB)	CF8M (316 SS)
2*	OUTLET BASE	ALUMINUM (GR 356-T6) [*Available for 2" to 6" only]	CS(WCB)	CF8M (316 SS)
1*	INLET BASE	ALUMINUM (GR 356-T6) [*Available for 2" to 6" only]	CS(WCB)	CF8M (316 SS)
ITEM NO.	DESCRIPTION	ALUMINUM	CARBON STEEL	SS
		Material		



SIZE	"A"	"B"	
		ALUMINUM	CS/SS
02" X 06"	9.18[233]	16.50[419]	16.00[406]
03" X 08"	11.20[284]	16.50[419]	16.00[406]
04" X 10"	13.16[335]	16.50[419]	16.00[406]
06" X 16"	19.97[508]	21.50[546]	21.00[533]
08" X 20"	23.49[597]	n/a	33.00[838]
10" X 24"	27.05[688]	n/a	38.00[965]
12" X 28"	32.25[820]	n/a	41.00[1041]

INSTRUMENT & DRAIN PORT CONNECTION (AS PER MATERIAL) (APPLICABLE FOR BASE-1 & 2)

THRD SIZE	DRILL ϕ	PORT "A"		PORT "B"		PORT "C"		DRAIN PORT	
		CS/SS	ALUMINIUM	CS/SS	ALUMINIUM	CS/SS	ALUMINIUM	CS/SS	ALUMINIUM
1/4"-18 NPT	.438[11]	2"-12"	2"-6"	2"-12"	2"-6"	N/A	N/A	2"-12"	2"-6"
1/2"-14 NPT	.703[18]	2"-12"	2"-6"	2"-12"	2"-6"	2"-12"	2"-6"	N/A	N/A
3/4"-14 NPT	.906[23]	2"-12"	3"-6"	2"-12"	3"-6"	2"-12"	3"-6"	N/A	N/A
1"-11 NPT	1.141[29]	4"-12"	4"-6"	4"-12"	4"-6"	4"-12"	4"-6"	N/A	N/A

PORT CONNECTIONS (FOR CUSTOMER SELECTION)			
BASE	LOCATION	INSTRUMENT	THRD
	PORT "A"		
	PORT "B" @ 90°		
	PORT "B" @ 270°		
	PORT "C"		
	DRAIN PORT	N/A	

CHECK WHEN APPLICABLE (STANDARD FA WITHOUT PORT OPTION)

THIS DOCUMENT IS CONFIDENTIAL WITH ALL RIGHTS AND TITLES RESERVED AND IS PRESENTED SOLELY FOR THE USE OF YOUR ORGANIZATION ON BEHALF OF CONTINENTAL DISC CORPORATION AND ITS SUBSIDIARIES. THE DOCUMENT AND THE INFORMATION INCLUDED MAY NOT BE USED OR REPRODUCED IN WHOLE OR IN PART FOR THE BENEFIT OF YOUR ORGANIZATION OR ANYONE ELSE, AND MAY NOT BE TRANSMITTED TO PERSONS OUTSIDE OF YOUR ORGANIZATION WITHOUT THE WRITTEN AUTHORIZATION OF CONTINENTAL DISC CORPORATION

IR	05-17-22
REV.	DATE

- NOTES:
- 1.ASME#150,PN10,PN16 Drilling patterns available
 - 2.For Flange Drilling Standard please refer DRG.No.103173
 - 3.Actual lifting position may vary as per final assembly.
 - 4.Lifting eyes on flame arrester are not for lifting whole assembly, but only for lifting out flame bank assembly during maintenance
 - 5.All dimensions are in Inch[mm]
 - 6.All Ports are plugged

GROTH
CORPORATION
a Continental Disc Company
13650 N. Promenade Blvd.
Stafford, Texas
77477

MODEL 76C VERTICAL FLAME ARRESTER		
FOR APPROVAL		
PREPARED BY	RM	MODEL NUMBER
CHECKED BY	CP	76C
APPROVED BY	KS	DWG. NUMBER
		GAD-76C