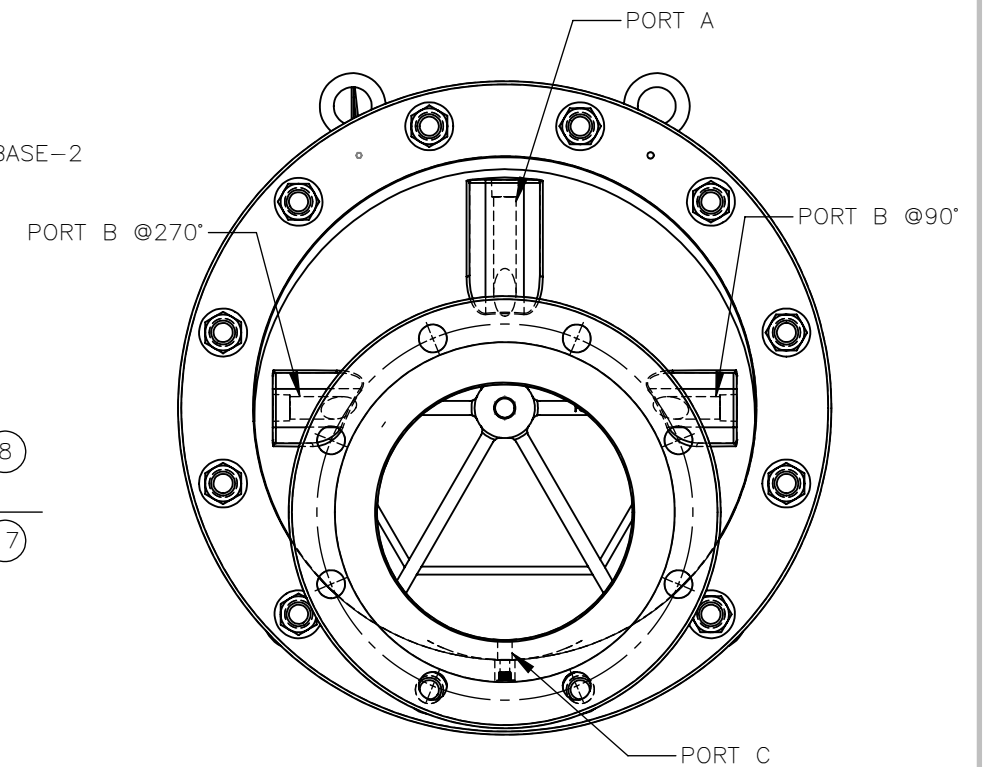
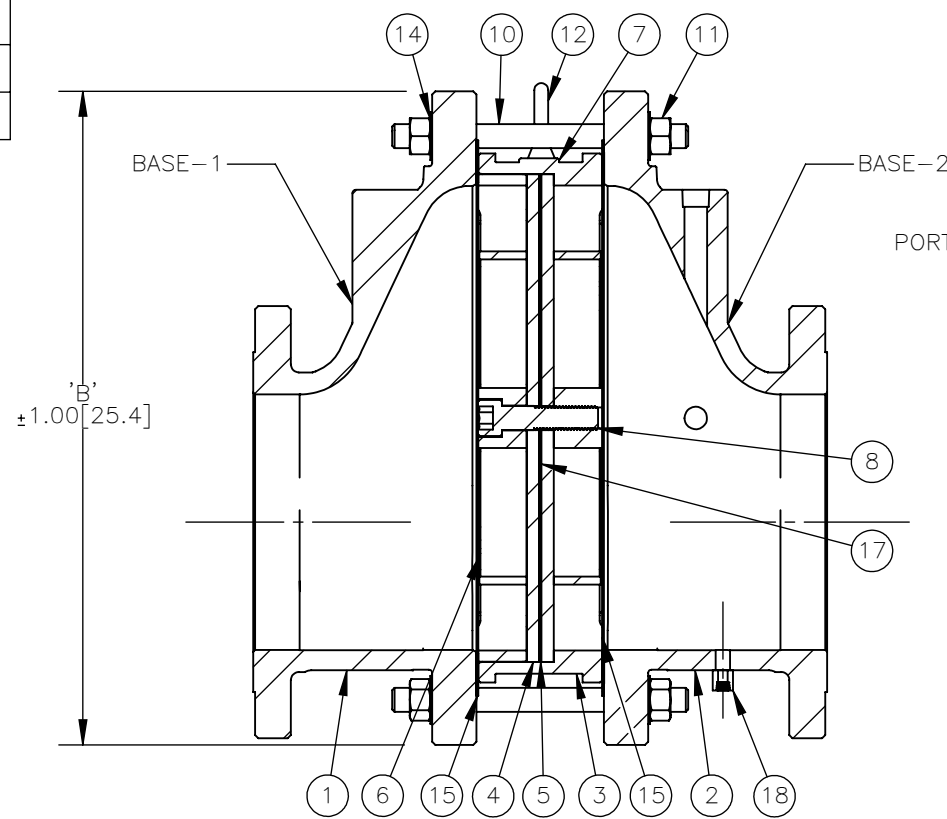
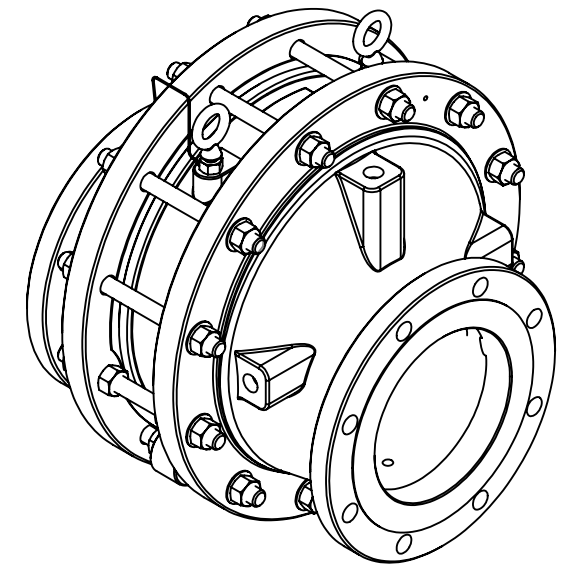
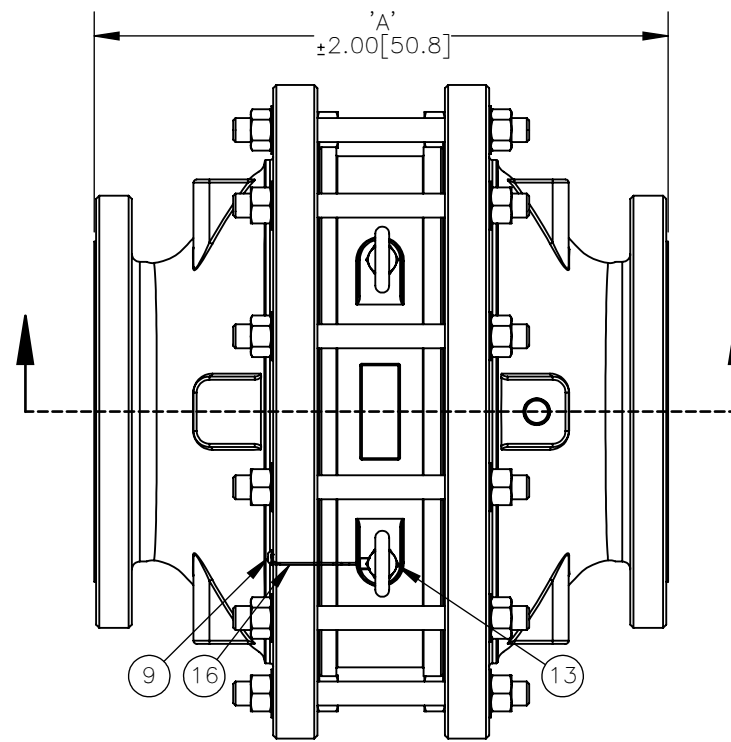


18	COUPLING (IF APPLICABLE)	CS	SS
17	ELEMENT SCREEN	SS	SS
16	BONDING STRAP	COPPER	COPPER
15	GASKET	NON ASBESTOS	NON ASBESTOS
14	WASHER, FLAT	SS	SS
13	HEX NUT	SS	SS
12	EYEBOLT (IF APPLICABLE)	GALV	GALV
11	HEX NUT	SS	SS
10	STUD	SS	SS
9	CAP SCREW BUTTON HEAD	SS	SS
8	CAP SCREW	SS	SS
7	BUSHING (IF APPLICABLE)	SS	SS
6	ELEMENT	SS	SS
5	WAGON WHEEL	CS (WCB)	CF8M (316 SS)
4	RET BAR LONG (APPLICABLE FOR 8"-12")	CS	SS
3	HOUSING	CS (WCB)	CF8M (316 SS)
2	OUTLET BASE	CS (WCB)	CF8M (316 SS)
1	INLET BASE	CS (WCB)	CF8M (316 SS)
ITEM NO.	DESCRIPTION	MATERIAL	
		CARBON STEEL	SS



NOTES:

- 1.ASME#150,PN10,PN16 Drilling patterns available.
- 2.For Flange Drilling Standard please refer DRG.No.103173
- 3.Actual lifting position may vary as per final assembly.
- 4.Lifting eyes on flame arrester are not for lifting whole assembly, but only for lifting out flame bank assembly during maintenance.
- 5.All dimensions are in Inch[mm]
- 6.All Ports are plugged.

SIZE	"A"	"B"
02" X 05"	12.5[318]	8.3[211]
03" X 06"	14.5[368]	9.6[244]
04" X 08"	14.5[368]	11.8[300]
06" X 12"	17.5[445]	16.2[411]
08" X 16"	18.0[457]	20.4[518]
10" X 20"	20.0[508]	24.8[630]
12" X 24"	22.0[559]	28.4[721]

INSTRUMENT & DRAIN PORT CONNECTION (APPLICABLE FOR BASE-1 & 2)					PORT CONNECTIONS (FOR CUSTOMER SELECTION)			
THRD SIZE	DRILL Ø	PORT "A"	PORT "B"	PORT "C"	BASE	LOCATION	INSTRUMENT	THRD
1/4"-18 NPT	.438[11]	2"-12"	2"-12"	2"-12"		PORT "A"		
1/2"-14 NPT	.719[18]	2"-12"	2"-12"	2"-12"		PORT "B" @ 90°		
3/4"-14 NPT	.906[23]	2"-12"	2"-12"	2"-12"		PORT "B" @ 270°		
1"-11 NPT	1.141[29]	4"-12"	4"-12"	4"-12"		PORT "C"		
					CHECK WHEN APPLICABLE (STANDARD FA WITHOUT PORT OPTION)			

THIS DOCUMENT IS CONFIDENTIAL WITH ALL RIGHTS AND TITLES RESERVED AND IS PRESENTED SOLELY FOR THE USE OF YOUR ORGANIZATION ON BEHALF OF CONTINENTAL DISC CORPORATION AND ITS SUBSIDIARIES. THE DOCUMENT AND THE INFORMATION INCLUDED MAY NOT BE USED OR REPRODUCED IN WHOLE OR IN PART FOR THE BENEFIT OF YOUR ORGANIZATION OR ANYONE ELSE, AND MAY NOT BE TRANSMITTED TO PERSONS OUTSIDE OF YOUR ORGANIZATION WITHOUT THE WRITTEN AUTHORIZATION OF CONTINENTAL DISC CORPORATION

IR	05/18/22
REV.	DATE

GROTH
CORPORATION
a Continental Disc Company
13650 N. Promenade Blvd.
Stafford, Texas
77477

MODEL 77E DETONATION FLAME ARRESTER			FOR APPROVAL
PREPARED BY	RM	MODEL NUMBER	77E
CHECKED BY	CP	DWG. NUMBER	GAD-77E
APPROVED BY	KS		